



# SILENT BASE 600

UNIQUE PERFORMANCE AND USABILITY

**BLACK • ORANGE • SILVER**

## IDEAL APPLICATIONS

High resolution gaming and multimedia systems  
Overclocked systems  
Superior quiet PC systems

## HIGHLIGHTS

Intelligent airflow for excellent cooling performance  
Unique concept for well-known be quiet! silence  
Two pre-installed be quiet! Pure Wings 2 fans  
Extensive capacity for high-end hardware  
Easy tool-free fitting and cable management

### Unique Performance and Usability

be quiet! Silent Base 600 offers the perfect symbiosis of noise prevention and cooling performance, a good usability and an extensive capacity for high-end hardware.

#### Highlights »

- Outstanding performance thanks to an innovative construction that assures excellent cooling efficiency and a perfect air-circulation at well-known whisper-quiet operation
- Excellent usability with simplest mounting and tool-free fitting of drives, an intelligent and adaptable cable solution, and air intake filters that are easily accessed for cleaning
- Ample space and cutouts are provided for high-end components of today and tomorrow, including space for water cooling radiators
- Two pre-installed Pure Wings 2 fans feature nine airflow-optimized fan blades and are decoupled from the case to circulate air with a minimum of vibration and the quietest possible operation; 3-step fan controller included
- Side panel with adjustable vent that can be closed for silent operation, partially open for increased air intake or open with an additional fan for higher cooling performance
- Professional cable management is supported with generous space for organizing cables, silicone rubber grommets, and carefully placed pass-throughs
- Product conception, design and quality control in Germany
- 3-years manufacturer's warranty

#### Silent Base 600 »

The design team's mission was based on the principle "form follows function", and so every last detail in the Silent Base 600's design has a functional purpose. It is truly a superior case ideal for high-end gaming gear and quiet systems.

**+ NOISE INSULATION**

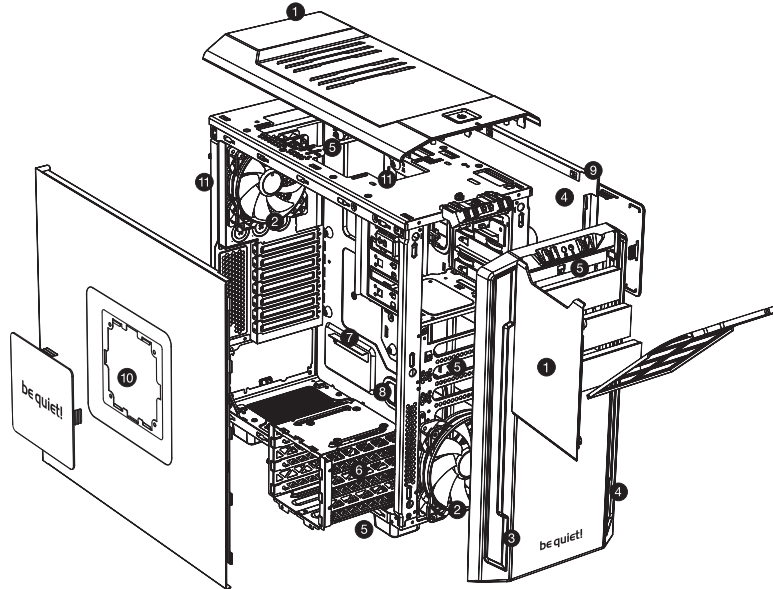
**+ AIRFLOW CONTROL**

**+ TOOL-FREE FITTING**

# SILENT BASE 600

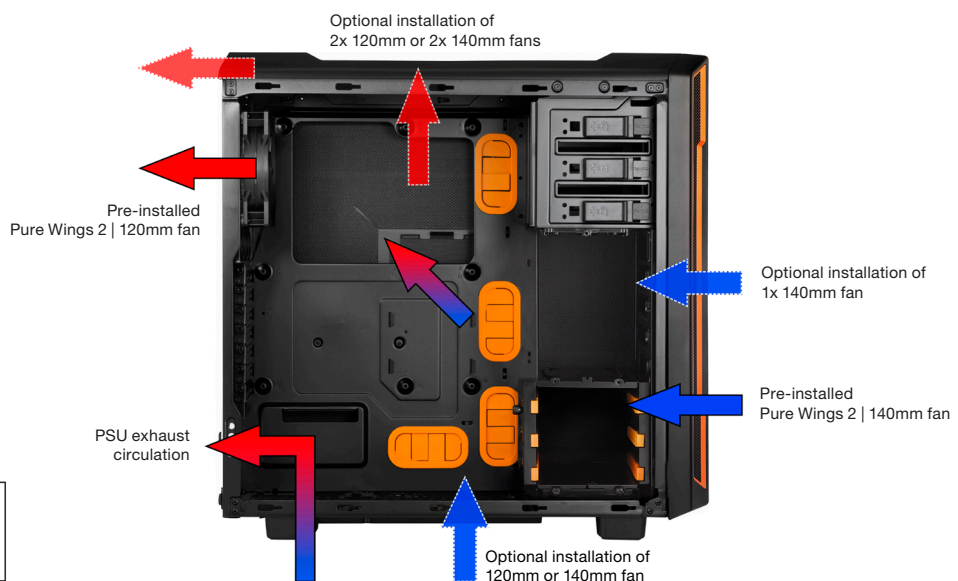
UNIQUE PERFORMANCE AND USABILITY

Features »



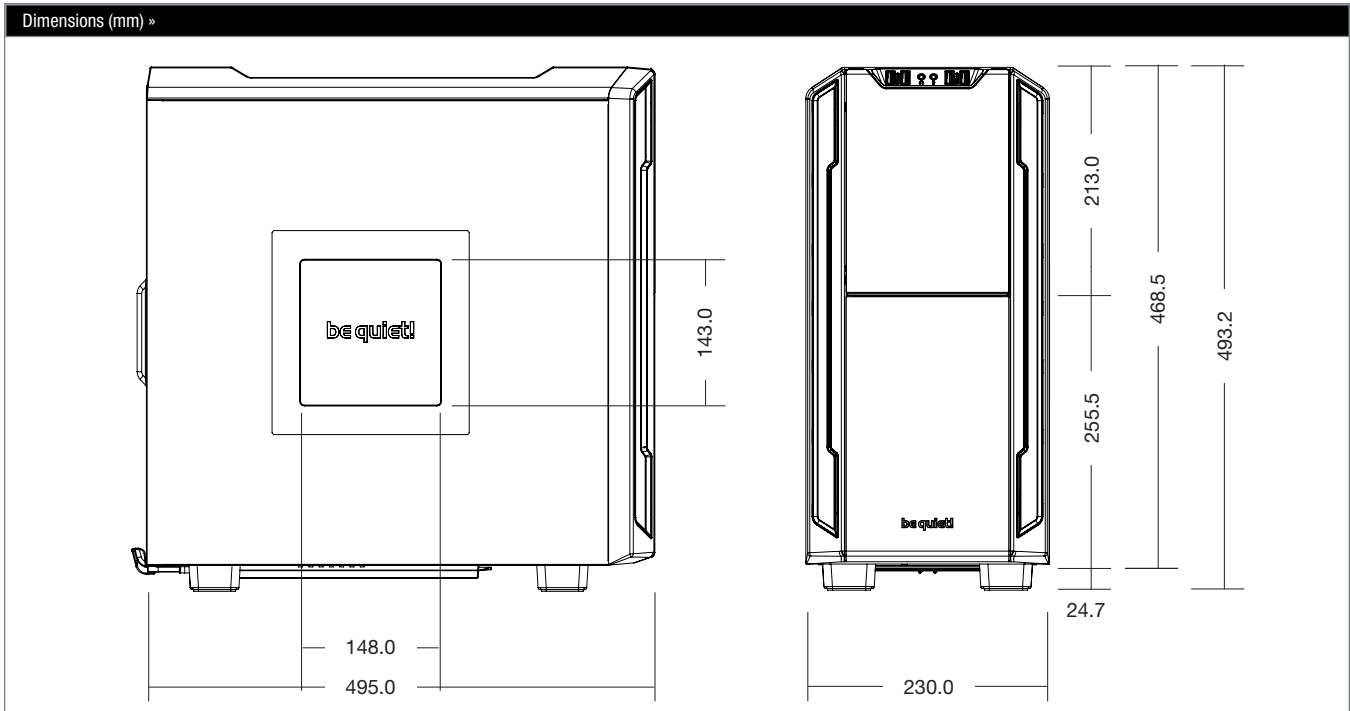
- ① Top and front covers as well as side panels maximize cooling and quietness, permit intake of fresh air yet resist the escape of noise.
- ② One decoupled Pure Wings 2 140mm front intake fan and one decoupled Pure Wings 2 120mm rear exhaust fan for outstanding cooling performance.
- ③ Airflow follows clear path to quietly and efficiently lower system temperatures. All exhaust air is directed to the rear to minimize noise experience.
- ④ Sound insulated side and front panel
- ⑤ Design supports installation of up to five additional cooling fans. Integrated 3-step fan controller.
- ⑥ Rubber rails for disk drives reduce vibration and allow fast and secure HDD mounting. Completely tool-free HDD and SSD installation.
- ⑦ Motherboard tray features large cutouts for the CPU cooler backplate, supporting present and future CPU socket designs.
- ⑧ Professional cable management is optimized by rubber grommets on motherboard tray.
- ⑨ Side panel design provides ample space behind the motherboard tray for professional cable management, also allowing to fit high-end hardware.
- ⑩ Adjustable side panel cover: Closed for absolute silence, partially open for more air intake or open with an additional fan.
- ⑪ Chassis is liquid-cooling ready, specially designed areas to support radiators.

Airflow »



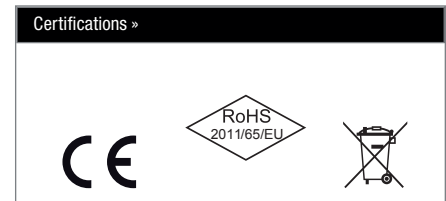
# SILENT BASE 600

UNIQUE PERFORMANCE AND USABILITY



General Data Case »	
Form factor / Motherboard compatibility	ATX / ATX, Micro-ATX, Mini-ITX
Case size (L x W x H in mm)	495 x 230 x 493
Color options	Black, Orange, Silver
Material	0.7mm steel, ABS plastic, Nylon
Weight incl. package / without package (kg)	9.5 / 7.8
I/O Panel	2x USB 3.0, 2x USB 2.0, HD Audio (mic + headphone jacks)
Expansion slots (pcs.)	7
Drive Bay Capacity »	
5.25	3
3.5	3
2.5	3
Cooling System »	
Pre-installed fans (mm / rpm)	1x 140 / 900 @ front 1x 120 / 1,200 @ rear
Optional fans (mm)	2x 140 / 120 @ top 1x 140 / 120 @ bottom 1x 120 @ side panel 1x 140 @ front
Optional liquid cooling system (radiotor in mm)	1x 120 / 140 @ front 1x 120 @ rear 1x 240 / 280 slim type @ top
Cooling solutions	Air channels (top and front) 3-step fan controller 3-in-1 air intake side panel
Maximum Dimensions »	
CPU cooler (mm)	170
PSU (without bottom fan)	290
Graphics card (standard)	290
Graphics card (w/o middle HDD cage)	400
Insulation and Damping »	
Front panel / Side panel insulation mats	✓
Anti-vibration decoupled HDD / fan / PSU	✓

Logistics Data »		
Silent Base 600	Art. no	EAN code
Orange	BG005	4260052184424
Black	BG006	4260052184431
Silver	BG007	4260052184448



Contact »
Service Hotline: +49 40 7367 686 44 (Mondays to Fridays from 9:00am to 5:30pm CET)
Mail: <a href="mailto:service@bequiet.com">service@bequiet.com</a>