



9 dBi Omni Directional Indoor/ Outdoor Antenna Kit

OAN-2090

H/W Version: 3

OAN-2090 is an all-inclusive antenna kit for indoor/
outdoor applications. It is a great solution to help
improve the distance and performance of wireless
local area networks (WLANs).

It is durable and reliable, perfectly suited for outdoor
deployments in even the most severe weather
conditions.



N-jack female Connector

Key Features

- IEEE 802.11 b/g/n application in 2.4GHz Frequency Range
- Omni-directional operation provides extended point to multi-point coverage
- Standard N-jack connector

Works Well With



WAB-6120
N150 PoE Wireless Access Point,
Passive PoE, Outdoor

Technical Specification

Electrical Characteristics

Frequency Range

2.4~2.5GHz

Gain

9dBi

VSWR

≤ 2.0

Polarization

Linear vertical

HPBW/Horizontal

360 °

HPBW/Vertical

14 °

Connector

N female

Environmental & Mechanical Characteristic

Survival wind Speed

180km/hr

Operating Temperature

-30°C to + 60°C

Storage Temperature

0°C to + 50°C

Impedance

50Ω

Lighting Protection

DC ground

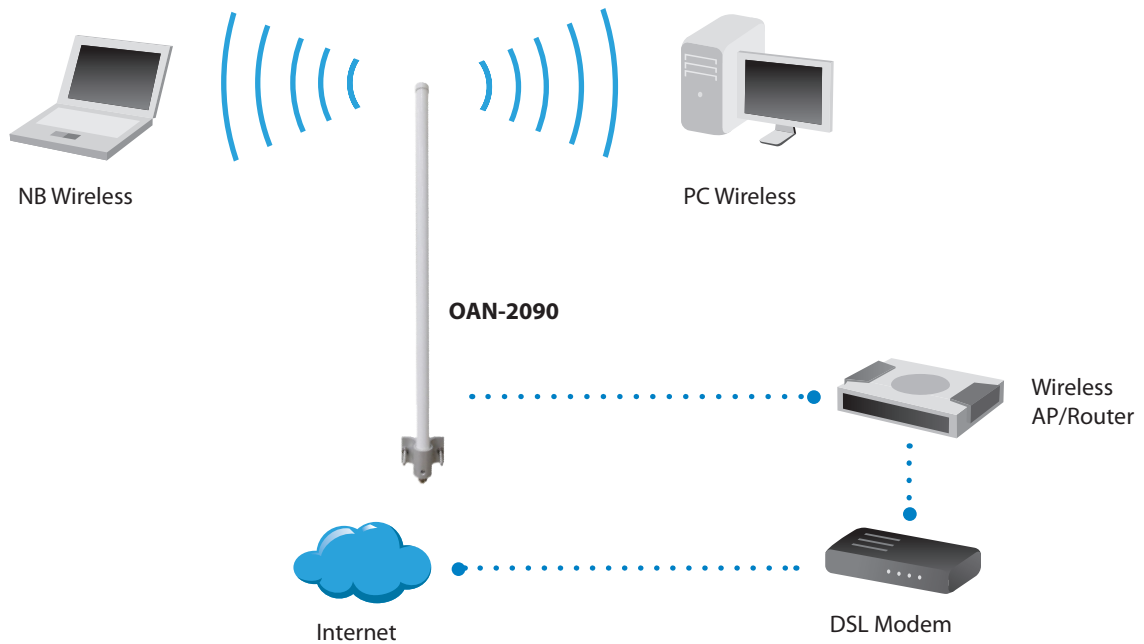
Material

Fiber Glass

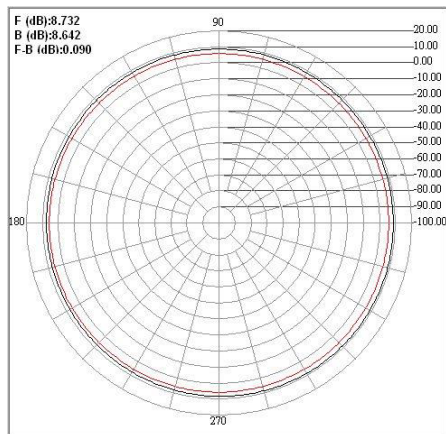
Dimensions

H 53mm x W 70mm x D610mm

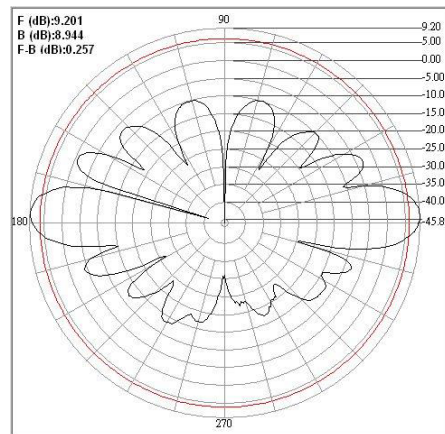
Product Diagram



Radiation Pattern



H-Plane



V-Plane

Order Information

OAN-2090: 9 dBi Omni Directional Indoor/Outdoor Antenna Kit

Package Content

OAN-2090, Mounting Kit, Quick Installation Guide