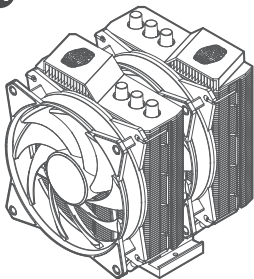




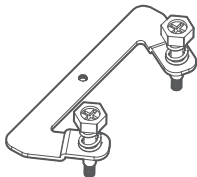
MASTERAIR MA621P

Dual Tower Heatsink exclusively designed for AMD TR4

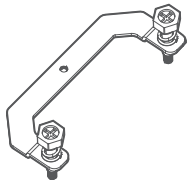
01.Package Content

A

x1

B

x1

C

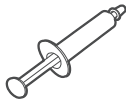
x1

D

x2

E

x1

F

x1

G

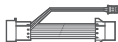
x1

H

x1

I

x1

J

x1

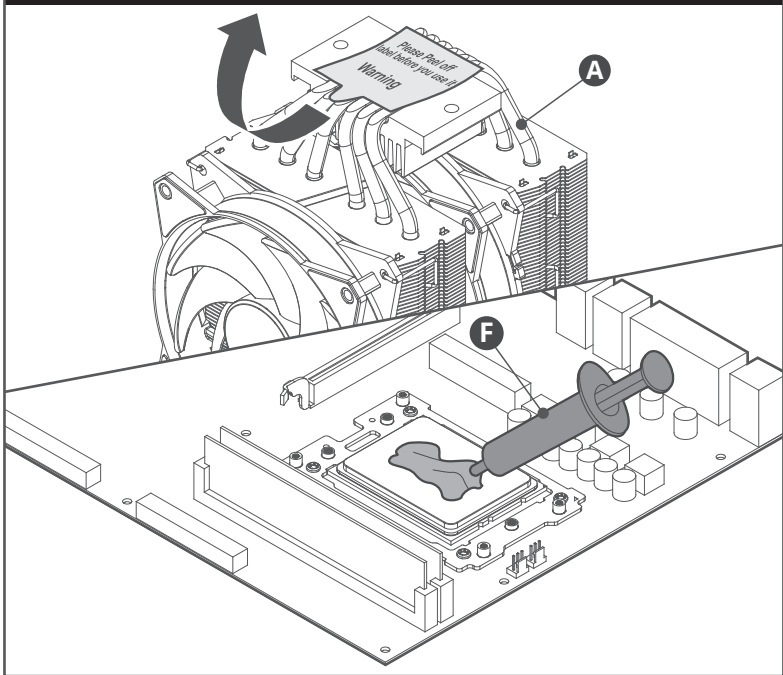
K

x1

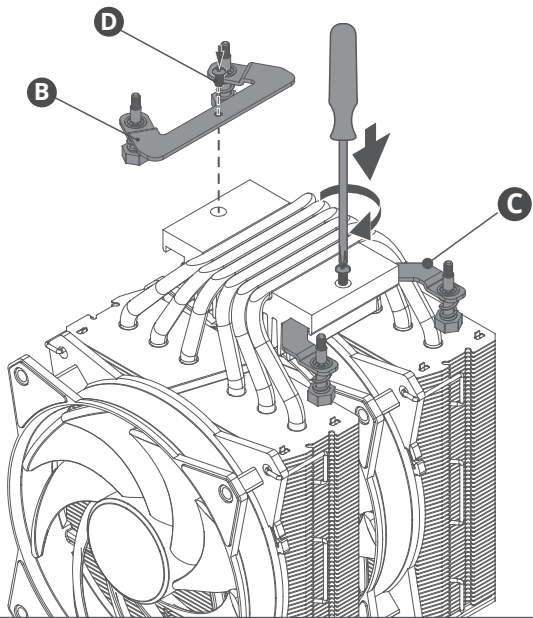
L

x2

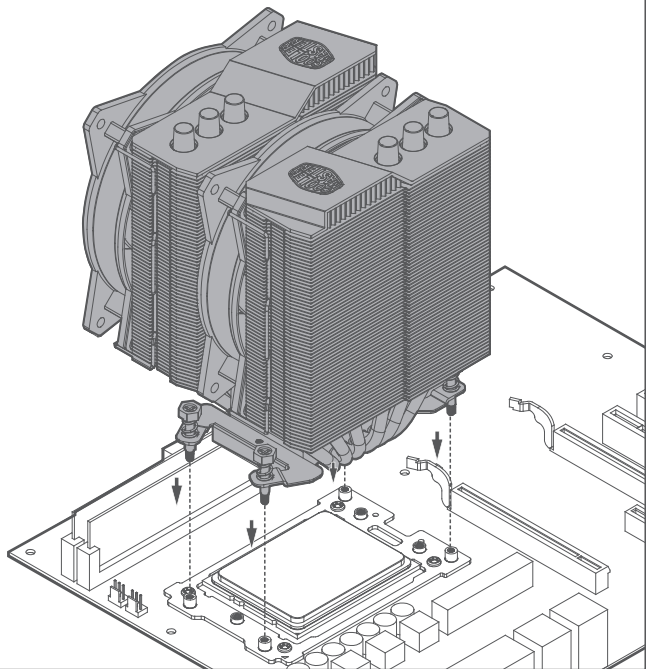
02. AMD TR4



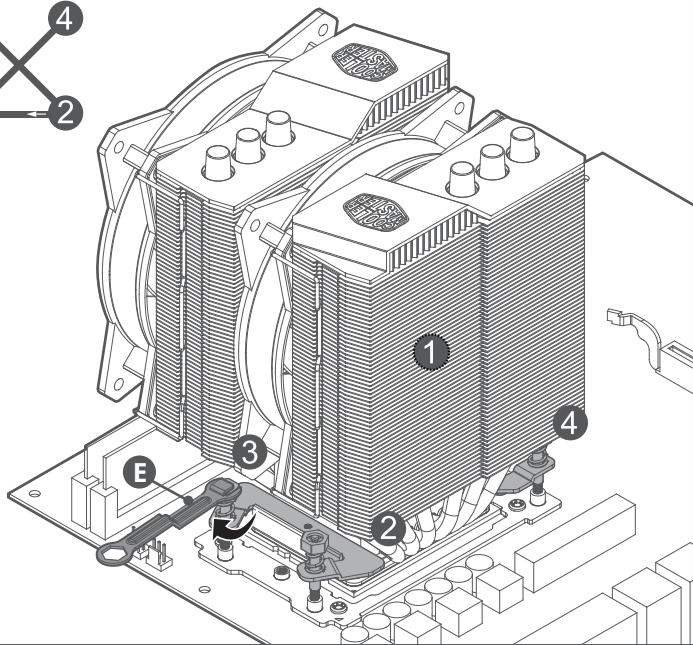
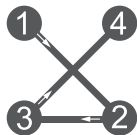
03. AMD TR4



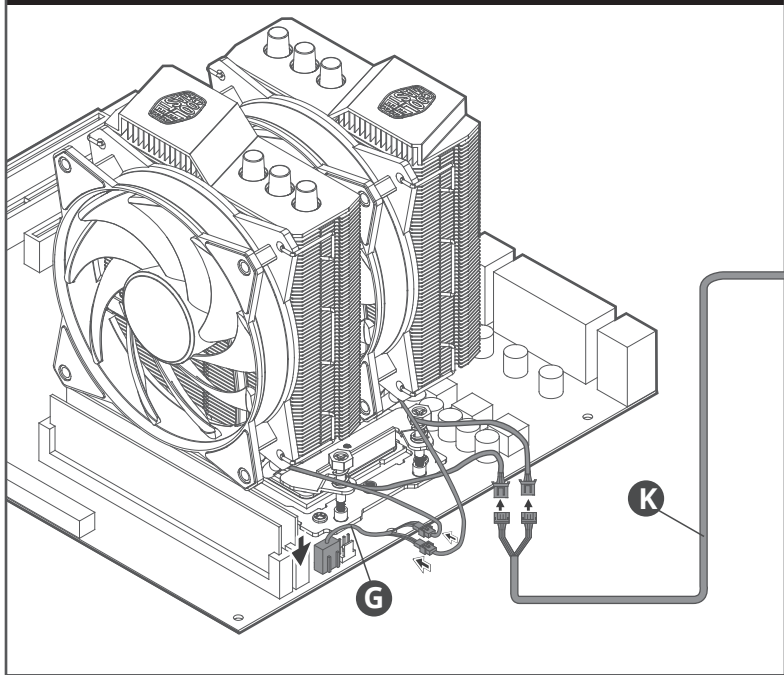
04. AMD TR4



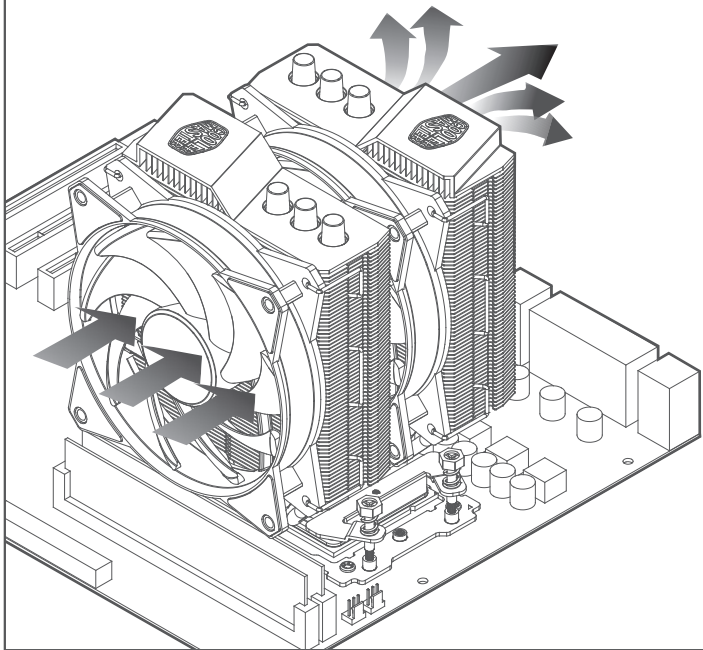
05. AMD TR4



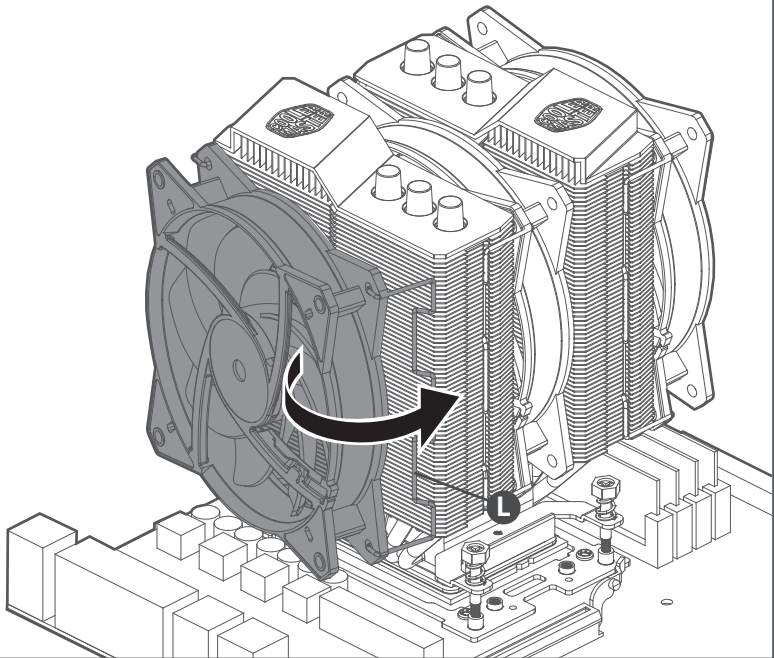
06. AMD TR4



08. AMD TR4



09. OPTIONAL



Please visit our website at www.coolermaster.com

Asia Pacific – Cooler Master Technology Inc.
8F., No. 788-1, Zhongzheng Rd., Zhonghe Dist.,
New Taipei City 23586, Taiwan (R.O.C.)
Tel: +886-2-2225-3517

Europe - Cooler Master Europe B.V.
Lodewijkstraat 1b, 5652AC Eindhoven,
The Netherlands
Tel: +31-(0)40-702-0900

China – Cooler Master China
Room 2062, Floor 6, No. 421, Weiquing Rd.,
Jinshan District, Shanghai City, China
Tel: +86-21-51872177

North America - Cooler Master Technology NA
4820 Schaefer Ave. Chino CA. 91710, USA
Tel: +1-888-624-5099

For the most updated information, please visit our official website: www.coolermaster.com
Cooler Master Support: <https://account.coolermaster.com/>



512000871-GP Ver 1.0:2018/01

©2018 Cooler Master Technology Inc. All Rights Reserved. All trademarks are registered to their respective owners.



Make It Yours.