

PHENOM Mini ITX

Quick Installation Guide

Box Contents

- **Phenom Mini-ITX Case**

- **Phenom Mini-ITX Quick Installation Guide**

- Accessories:
 - ⊕ 5.25" drive bay adapter: x 1

 - ⊕ Cable Clip: x 1

- Screws:
 - ⊕ Thumbscrews M3: x 4 (For 5.25" drive bay adapter)

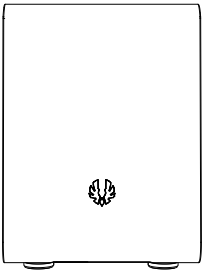
 - ⊕ Standard Screw 6-32 Hex: x 4 (For PSU)

 - ⊕ Standard Screw 6-32*6mm Flat: x 7 (For MB)

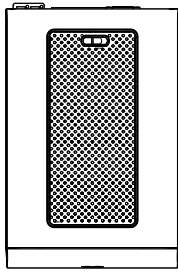
 - ⊕ Standard Screw 6-32*10mm Round: x 5 (For securing HDD trays)

 - ⊕ Standard Screw M3*5mm Round: x 12 (For 2.5" SSD)

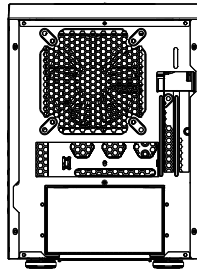
* Contents and specifications subject to change without notice.



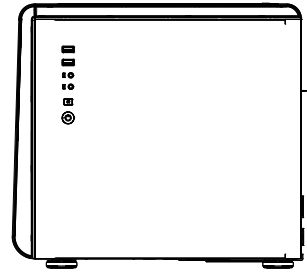
Front



Top



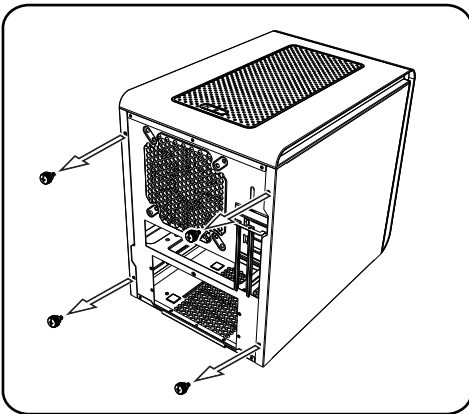
Back



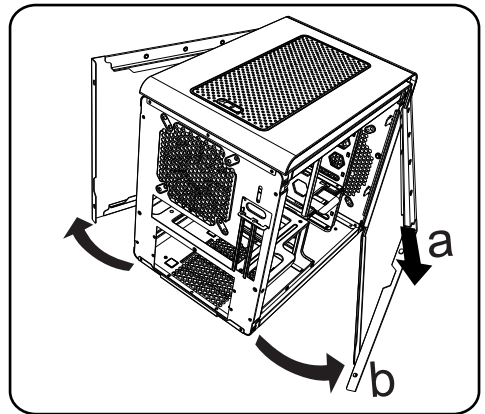
Side

Basic Installation

Removing side panels

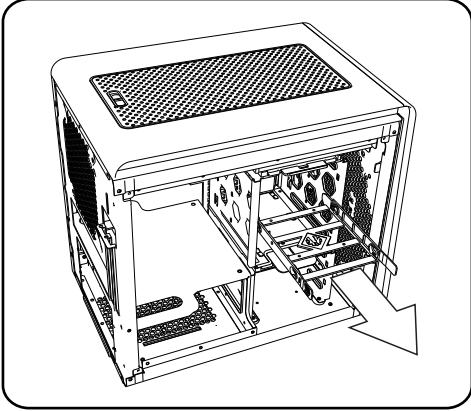


a. Remove thumbscrews

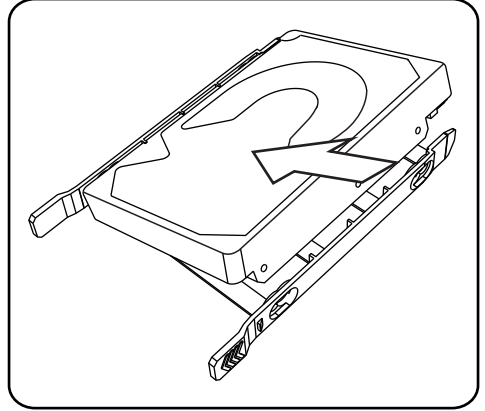


b. Remove side panels

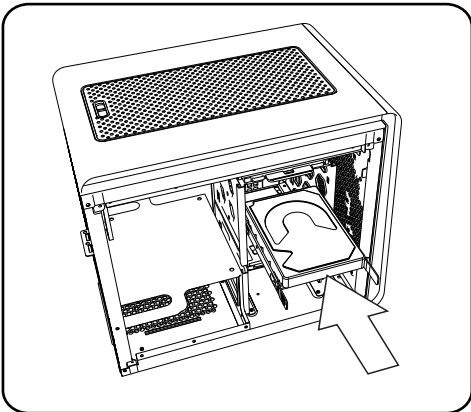
Installing 3.5" drives



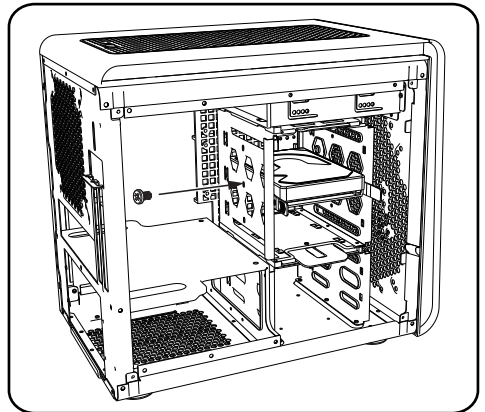
a. Remove hard disk tray



b. Install drive by bending rails of tray to the side

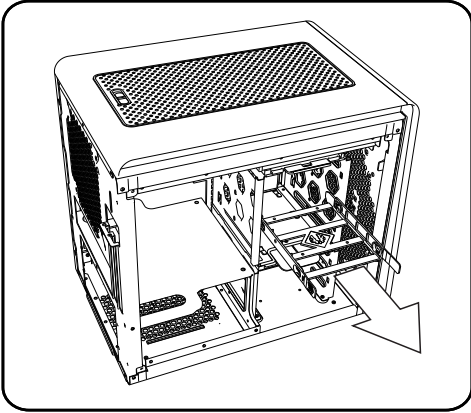


c. Slide tray into place

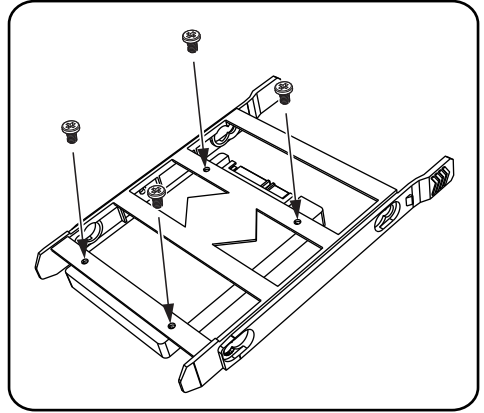


d. If needed, add extra 6-32*10mm Round screw for increased stability

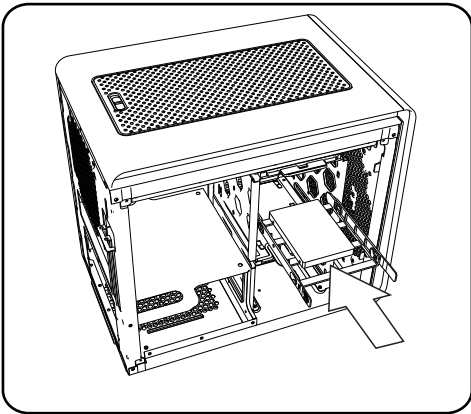
Installing 2.5" drives



a. Remove hard disk tray

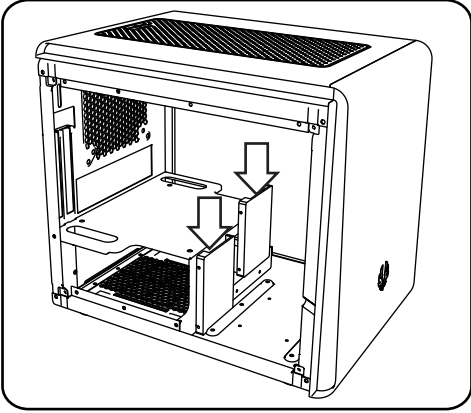


b. Install drive using M3*5mm Round screws

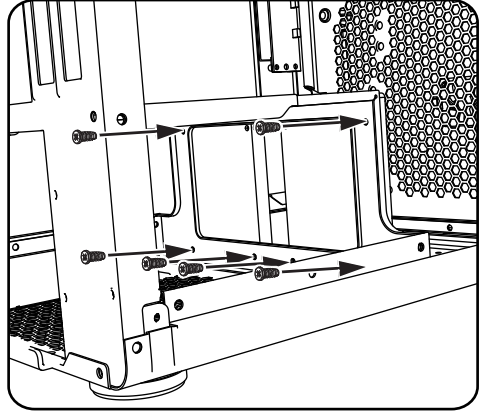


c. Slide tray into place

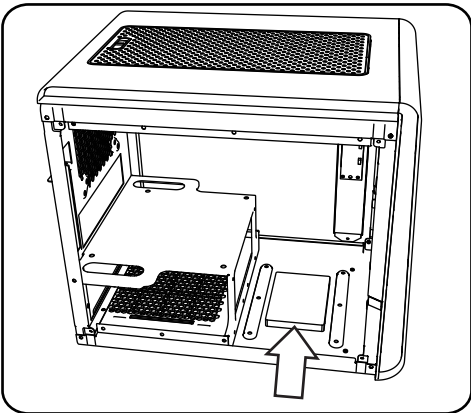
Installing 2.5" drives



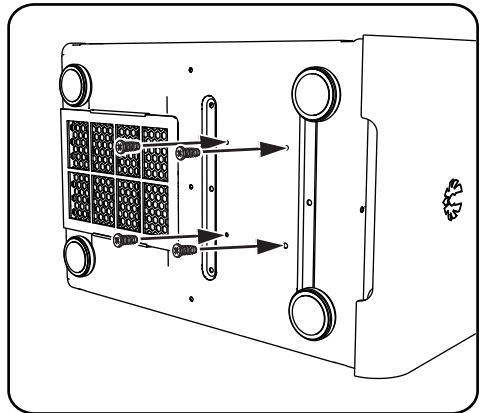
a. Remove FlexCage™ and position drive(s) on PSU cage



b. Secure with screws (M3*5mm Round)

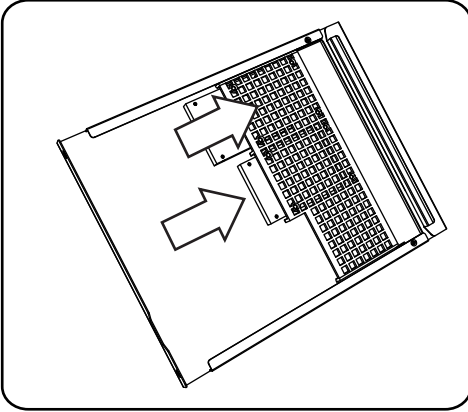


c. Remove FlexCage™ and position drive on floor

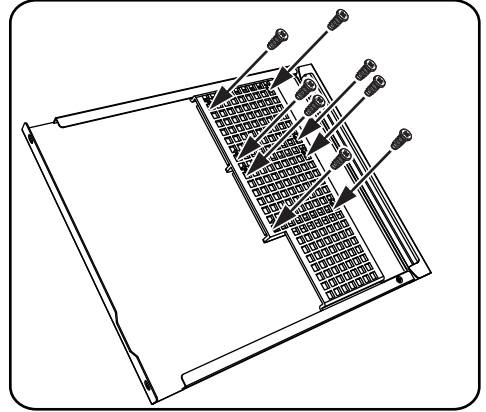


d. Secure with screws (M3*5mm Round)

Installing 2.5" drives



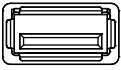
a. Slide drives into place



b. Secure with screws (M3*5mm Round)

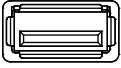
Features

Control Panel



A

A. SuperSpeed USB3.0 ports



B



B. Headphone jack

C



C. Microphone jack

D



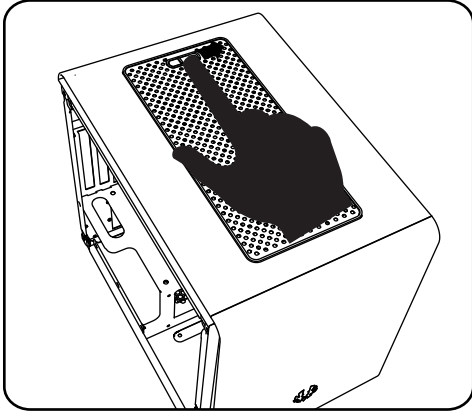
D. Reset button

E

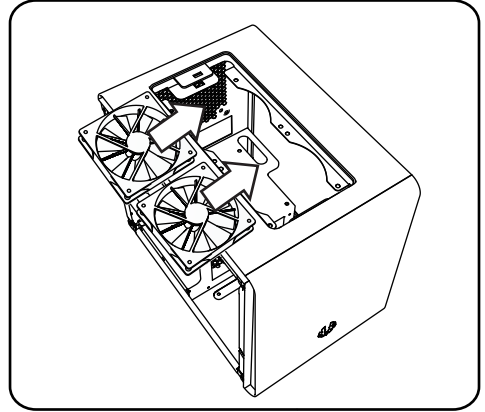


E. Power button

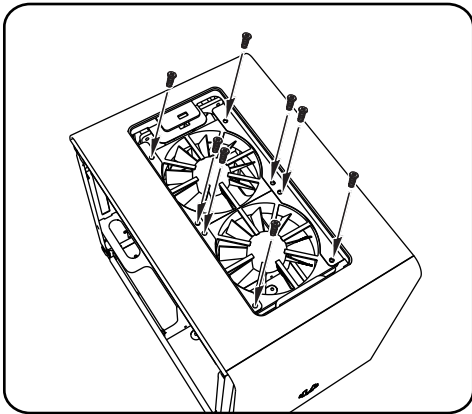
Top Fan Installation (120mm)



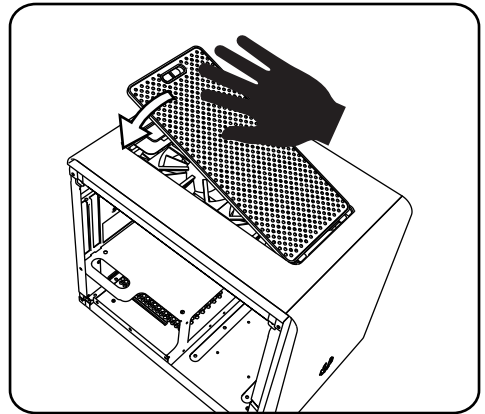
a. Remove top filter



b. Install fans

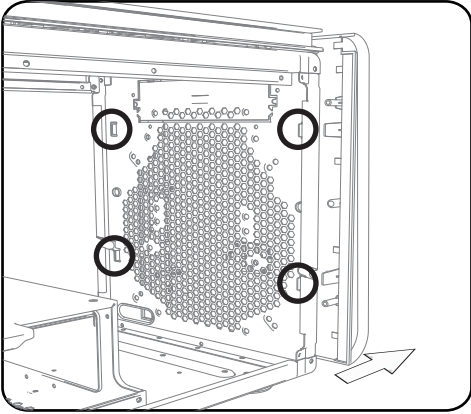


c. Secure with screws

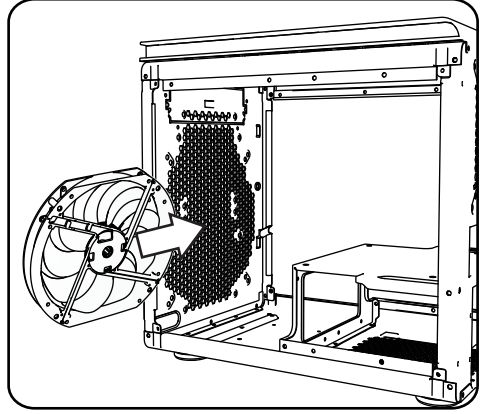


d. Replace top filter

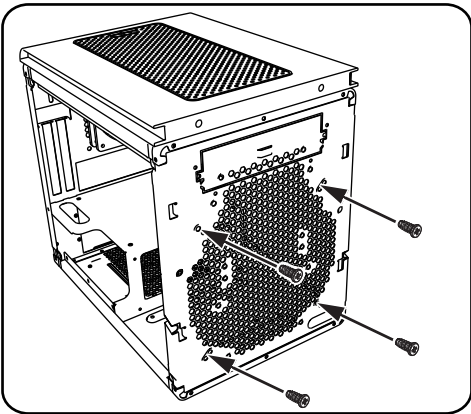
Front Fan Installation



a. Remove front panel by pushing tabs from inside chassis

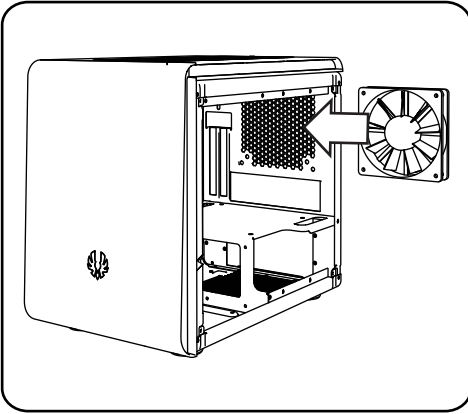


b. Install fans (If necessary, remove FlexCage™)

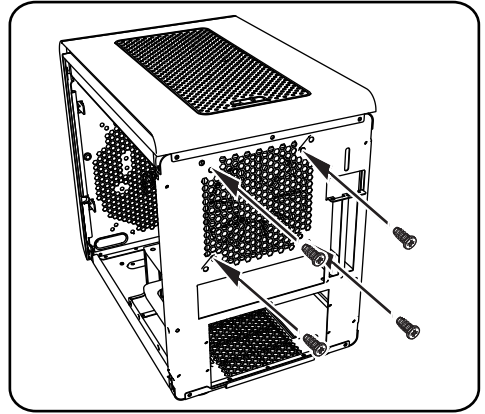


c. Secure with screws

Rear Fan Installation

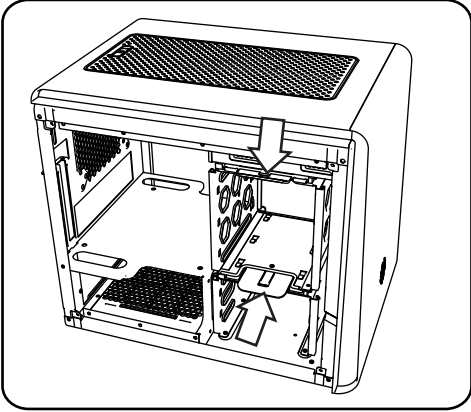


a. Install fan

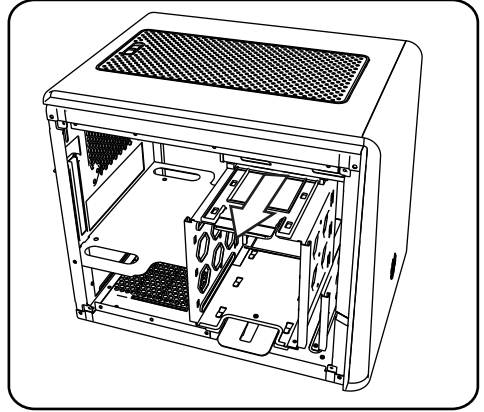


b. Secure with screws

FlexCage™ Hard Disk Rack

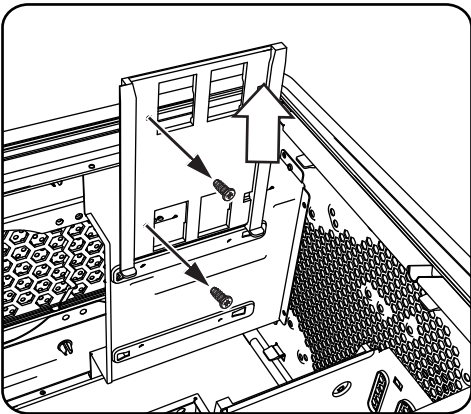


a. Press tabs on HDD cage

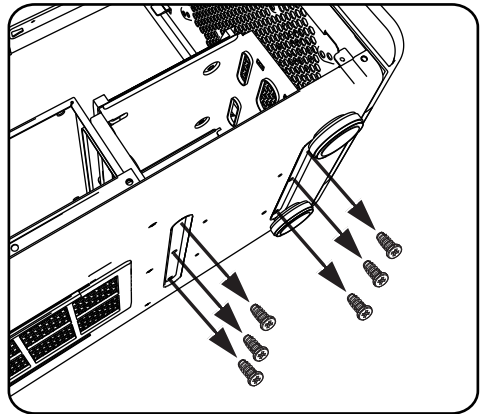


b. Pull to remove

Removing FlexCage™

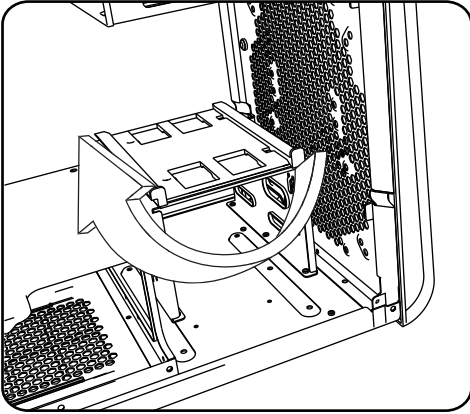


a. Remove plastic rail

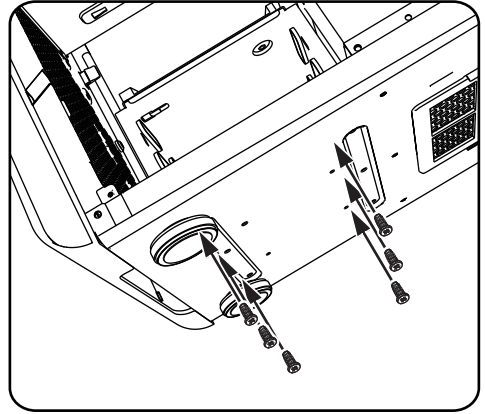


b. Remove screws from bottom of HDD cage

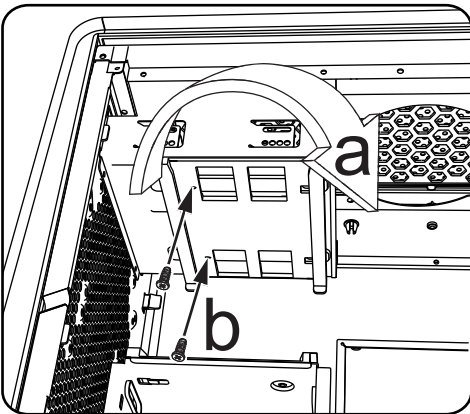
Rotating FlexCage™



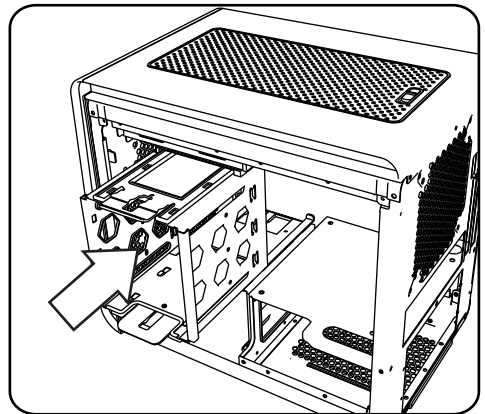
a. Remove and rotate the HDD cage



b. Secure screws from bottom of HDD cage

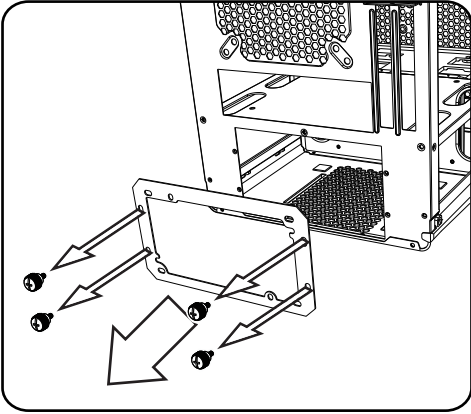


c. Rotate the plastic rail and secure screws

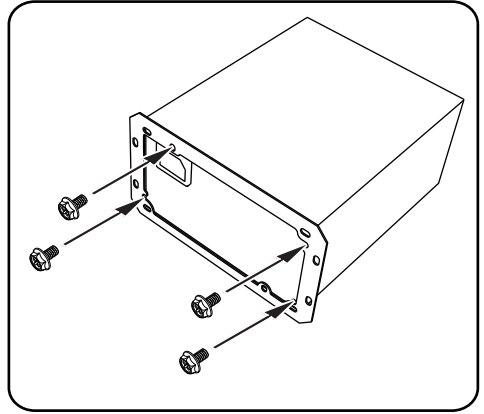


d. Insert HDD cage from other side

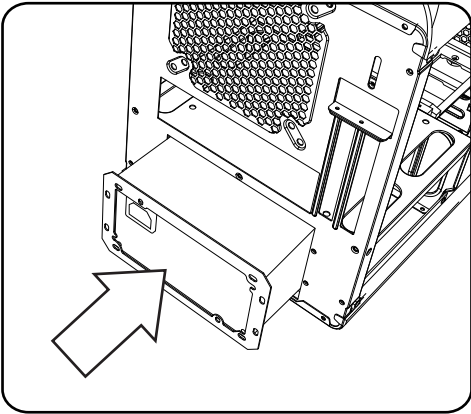
Power Supply Installation



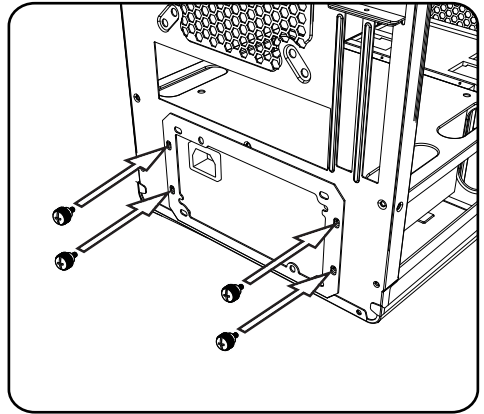
a. Remove PSU Back Plate



b. Secure PSU Back Plate on PSU
(Standardscrew 6-32 hex)

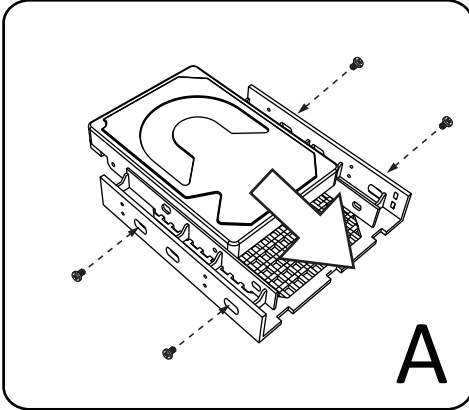


c. Slide PSU into place

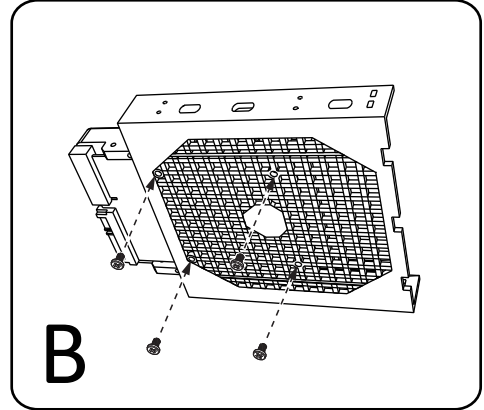


d. Secure with screws

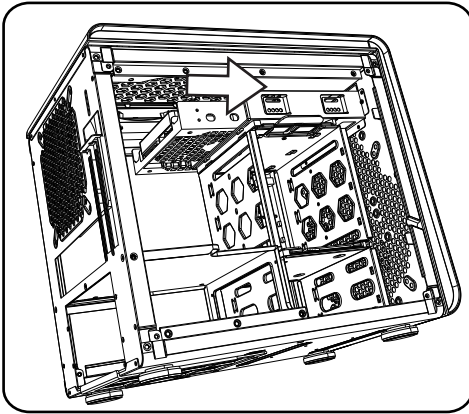
Installing 5.25" drive bay adapter



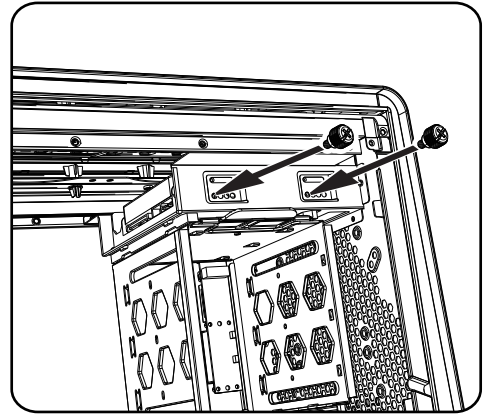
a. Install device using M3*5mm Round screws



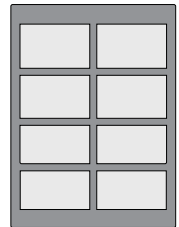
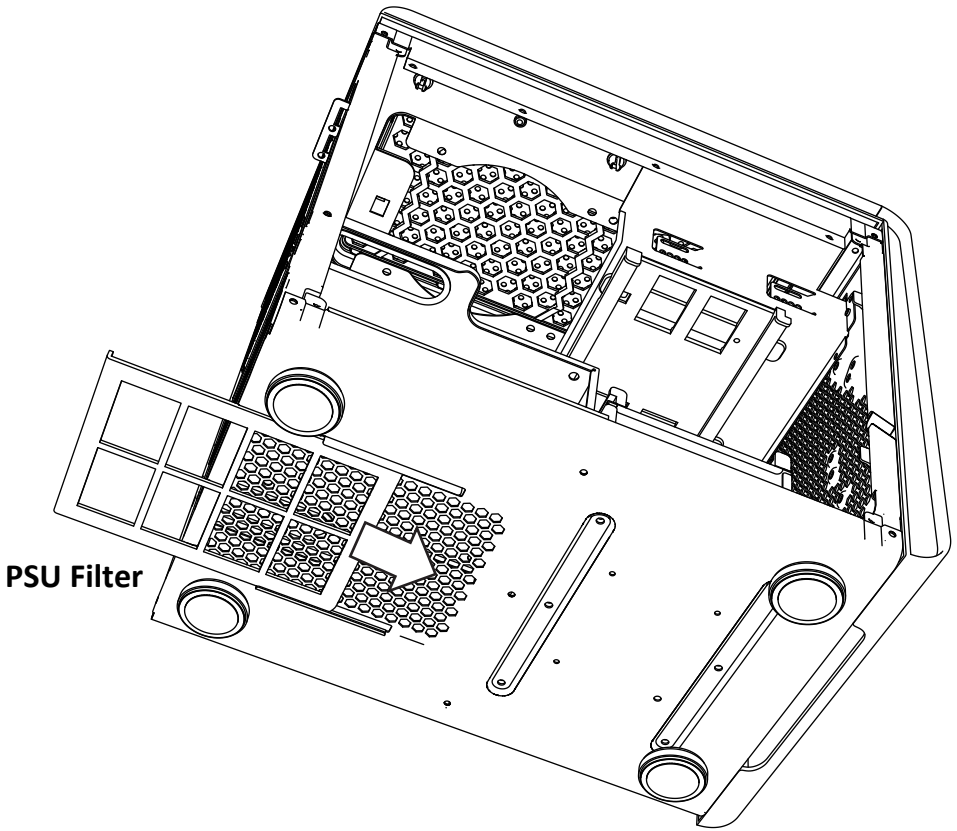
b. Use A or B depending on device



c. Slide tray into place



d. Secure with screws
(Thumbscrews M3)



PSU Filter



BITFENIX

Bitfenix Co., Ltd.

3F, No.79, Sec. 1, Xintai 5th Rd.,
Xi Zhi District, New Taipei City, Taiwan, R.O.C.

For the most updated information, please visit our official website: <http://www.bitfenix.com>

© 2013 BITFENIX Co., Ltd. All Rights Reserved. All trademarks are registered to their respective owners.

Ver 1.0 : 2013/09



