



Manual SRM Series

The Manual SRM series front projection screen has a special built-in Slow Retract Mechanism to allow a safe and quiet return to the screen's housing.
www.elitescreens.com/manualsrm



Manual SRM Series: Slow Retract Manual Pull Down Projector Screen

Model	Nominal Diagonal	View Height	View Width (in)	View Height (in)	View Width (cm)	Net Weight (cm)	Gross Weight (lbs)	Net Weight (lbs)	Gross Weight (kgs)	Packaging Dimension (kgs)	Gain (LxHxW)	Screen Material	Case Color
M85XWS1-SRM	85"(1:1)	60.0	60.0	152.4	152.4	13.2	16.1	6.0	7.3	69"x4.3"x5"	1.1	MaxWhite	White
M99NWS1-SRM	99"(1:1)	70.0	70.0	177.8	177.8	15.7	18.5	7.1	8.4	80.3"x4.3"x5"	1.1	MaxWhite	White
M113NWS1-SRM	113"(1:1)	80.0	80.0	203.2	203.2	18.1	21.8	8.2	9.9	90.2"x5.2"x5.6"	1.1	MaxWhite	White
M84NWS1-SRM	84"(4:3)	50.3	67.0	127.8	170.2	13.5	16.2	6.2	7.4	77.6"x5.5"x5.5"	1.1	MaxWhite	White
M100NWS1-SRM	100"(4:3)	60.0	80.0	152.4	203.2	16.8	20.3	7.6	9.2	88.2"x4.3"x5"	1.1	MaxWhite	White
M120XWS1-SRM	120"(4:3)	72.0	96.0	182.9	243.8	20.5	24.3	9.3	11.0	106.3"x5.5"x5.9"	1.1	MaxWhite	White
M100XWS2-SRM	100"(16:9)	49.0	87.0	124.5	221.0	17.4	21.2	7.9	9.6	97.6"x5.5"x5.5"	1.1	MaxWhite	White
M120XWS2-SRM	120"(16:9)	58.8	104.6	149.4	265.7	21.2	25.7	9.6	11.7	115"x5.5"x5.5"	1.1	MaxWhite	White

Model	Nominal Diagonal & Aspect Ratio	Case Length (A)	Screen Width (A2)	View Width (A1)	Weight Bar Length (A3)	B4	B3	View Height (B1)	Overall Height (B)	End Cap Height (B5)	End Cap Width (C)	C1
M85XWS1-SRM	85" (1:1)	1688	1603	1527	1684	62	1703	1527	1795	92	80	20
M99NWS1-SRM	99" (1:1)	1940	1854	1778	1936	62	1954	1778	2046	92	80	20
M113NWS1-SRM	113" (1:1)	2195	2106	2030	2191	62	2206	2030	2298	92	80	20
M84NWS1-SRM	84" (4:3)	1870	1783	1707	1866	62	1456	1280	1548	92	80	20
M100NWS1-SRM	100" (4:3)	2194	2108	2032	2190	62	1700	1524	1792	92	80	20
M120XWS1-SRM	120" (4:3)	2610	2514	2438	2606	62	2005	1829	2097	92	80	20
M100XWS2-SRM	100" (16:9)	2376	2290	2214	2372	62	1421	1245	1513	92	80	20
M120XWS2-SRM	120" (16:9)	2818	2733	2657	2814	62	1670	1494	1762	92	80	20

Unit: mm

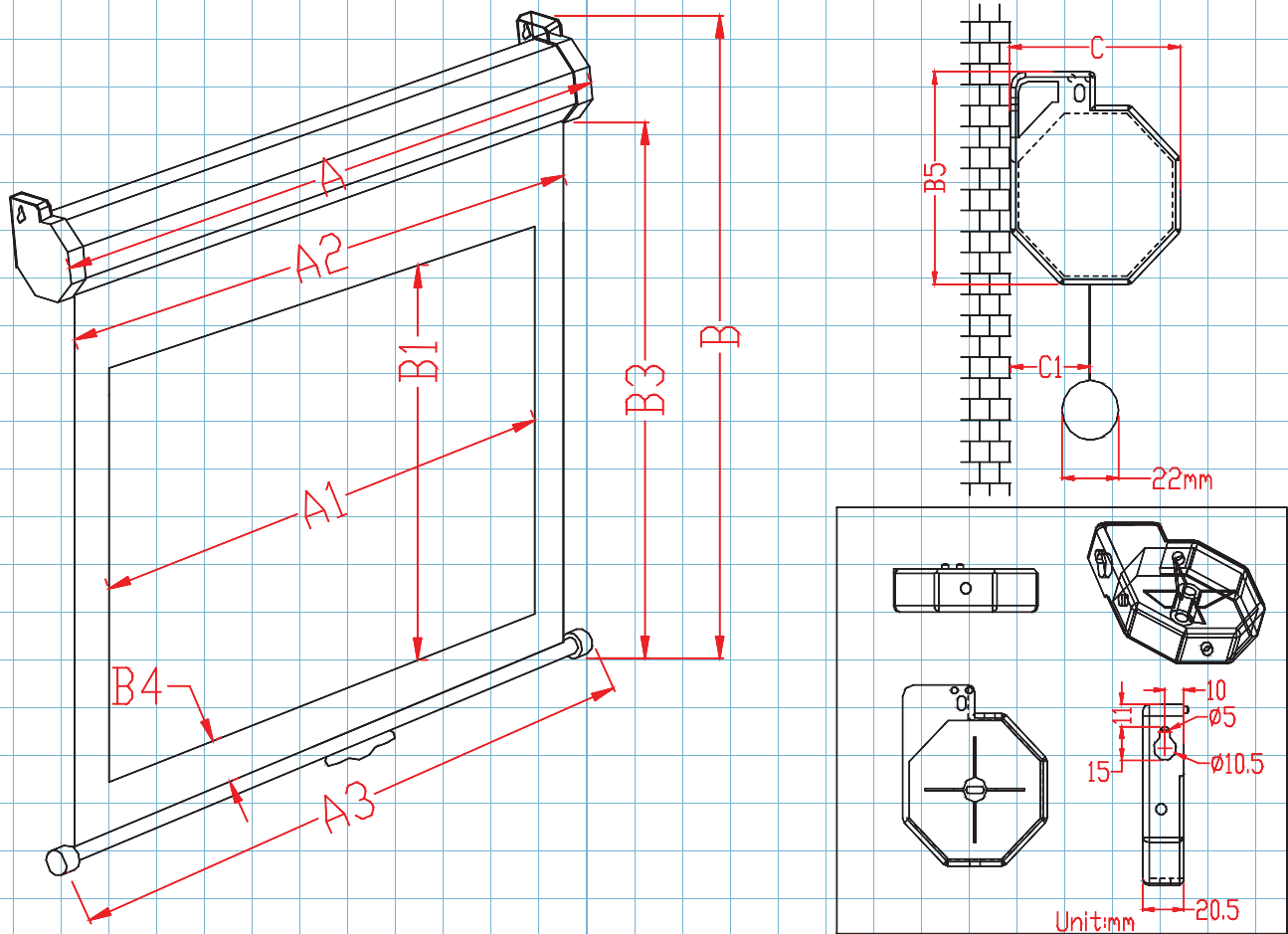
Can't find size and ratio you're looking for? Visit elitescreens.com/csr to create your own

Model	Nominal Diagonal & Aspect Ratio	Case Length (A)	Screen Width (A2)	View Width (A1)	Weight Bar Length (A3)	B4	B3	View Height (B1)	Overall Height (B)	End Cap Height (B5)	End Cap Width (C)	C1
M85XWS1-SRM	85" (1:1)	66.5	63.1	60.1	66.3	2.4	67.0	60.1	70.7	3.6	3.1	0.8
M99NWS1-SRM	99" (1:1)	76.4	73.0	70.0	76.2	2.4	76.9	70.0	80.6	3.6	3.1	0.8
M113NWS1-SRM	113" (1:1)	86.4	82.9	79.9	86.3	2.4	86.9	79.9	90.5	3.6	3.1	0.8
M84NWS1-SRM	84" (4:3)	73.6	70.2	67.2	73.5	2.4	57.3	50.4	60.9	3.6	3.1	0.8
M100NWS1-SRM	100" (4:3)	86.4	83.0	80.0	86.2	2.4	66.9	60.0	70.6	3.6	3.1	0.8
M120XWS1-SRM	120" (4:3)	102.8	99.0	96.0	102.6	2.4	78.9	72.0	82.6	3.6	3.1	0.8
M100XWS2-SRM	100" (16:9)	93.5	90.2	87.2	93.4	2.4	55.9	49.0	59.6	3.6	3.1	0.8
M120XWS2-SRM	120" (16:9)	110.9	107.6	104.6	110.8	2.4	65.7	58.8	69.4	3.6	3.1	0.8

Unit: inch

Can't find size and ratio you're looking for? Visit elitescreens.com/csr to create your own

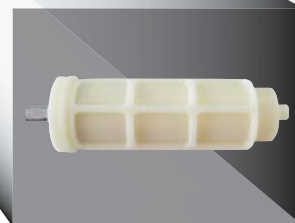
Note: Data Error ±1". The listed measurements are for general reference only. Please contact Elite Screens to verify product design and dimensions before attempting to integrate its products with any structural or furniture modification. Although a manufacturer may offer product advice, it may be taken or disregarded at the integrator's discretion. Elite Screens will not be held responsible or be otherwise liable for faulty installations.



Manual SRM Series



The Manual SRM series front projection screen has a special built-in Slow Retract Mechanism to allow a safe and quiet return to the screen's housing.



(Slow Retract Mechanism)

Screen Material:

- MaxWhite 1.1 Gain Screen Material is durable and easy to clean
- 160 degree wide viewing angle for commercial and residential presentations
- Black backed screen material eliminates light penetration for superior color reproduction
- Black masking enhances picture contrast

Casing and Installation:

- Durable metal casing
- Suitable for wall/ceiling installations
- Optional 6" and 12" brackets available

Control System:

- Slow Retract Mechanism (SRM)
- Auto-locking mechanism with variable height settings
- Manually operated (lanyard included)

Warranty:

- 2-year parts and labor
- 3-year warranty for ENR-G (Educational, Non-profit, Religious or Government/Military) - US only

Certified

- GREENGUARD® Indoor Air Quality and GREENGUARD® Children & Schools Certified



ZVMAXLB6-B: Black 6" L Bracket Set
ZVMAXLB6-W: White 6" L Bracket Set