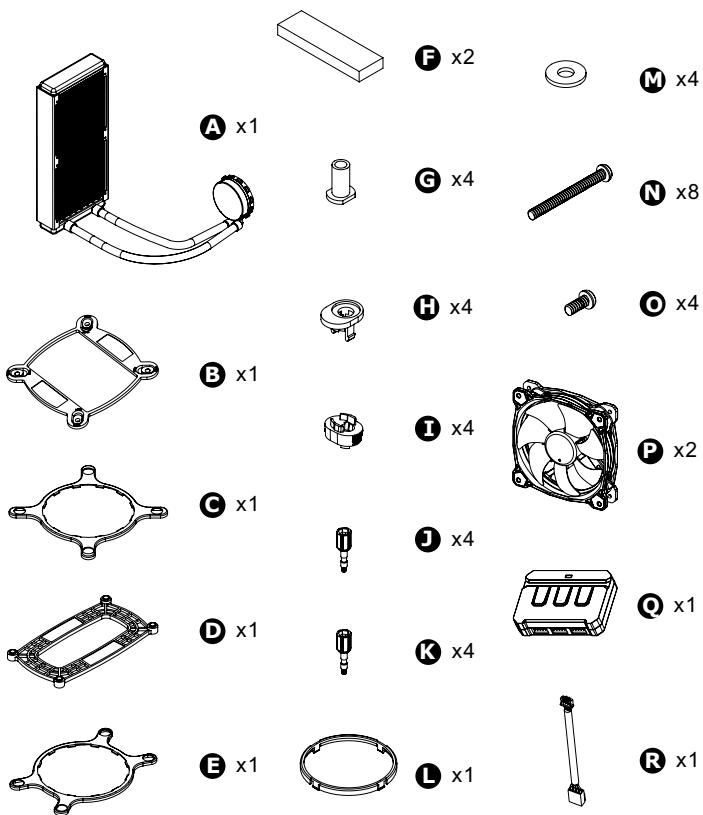


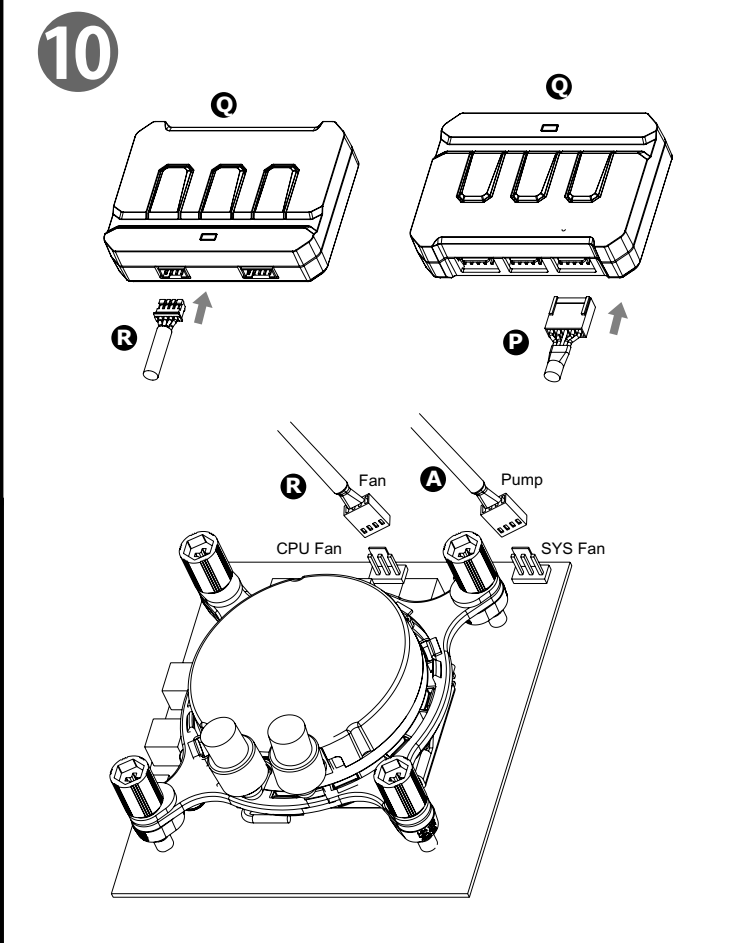
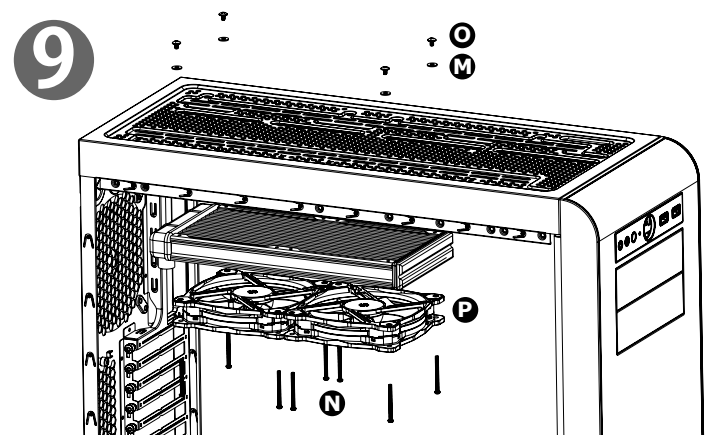
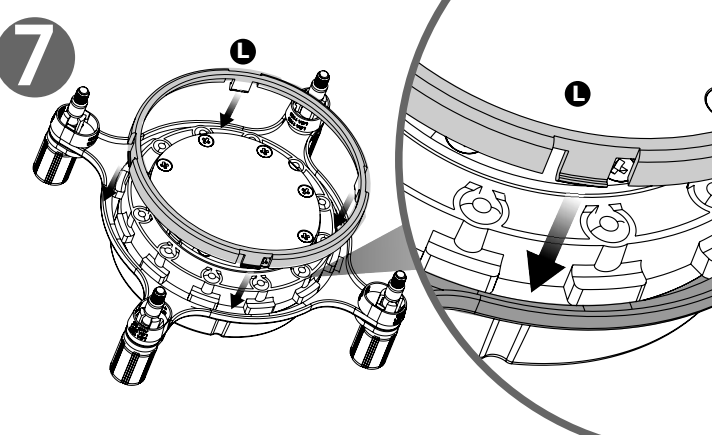
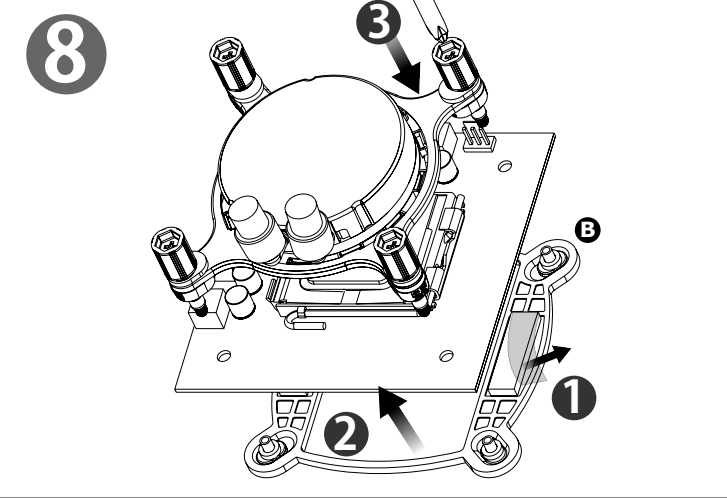
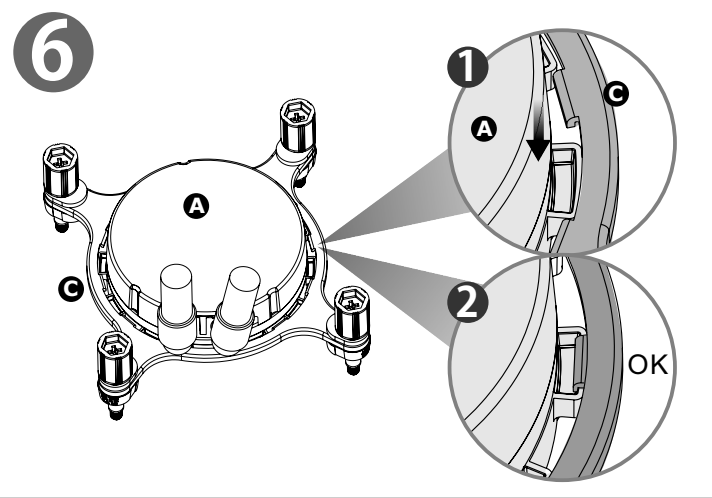
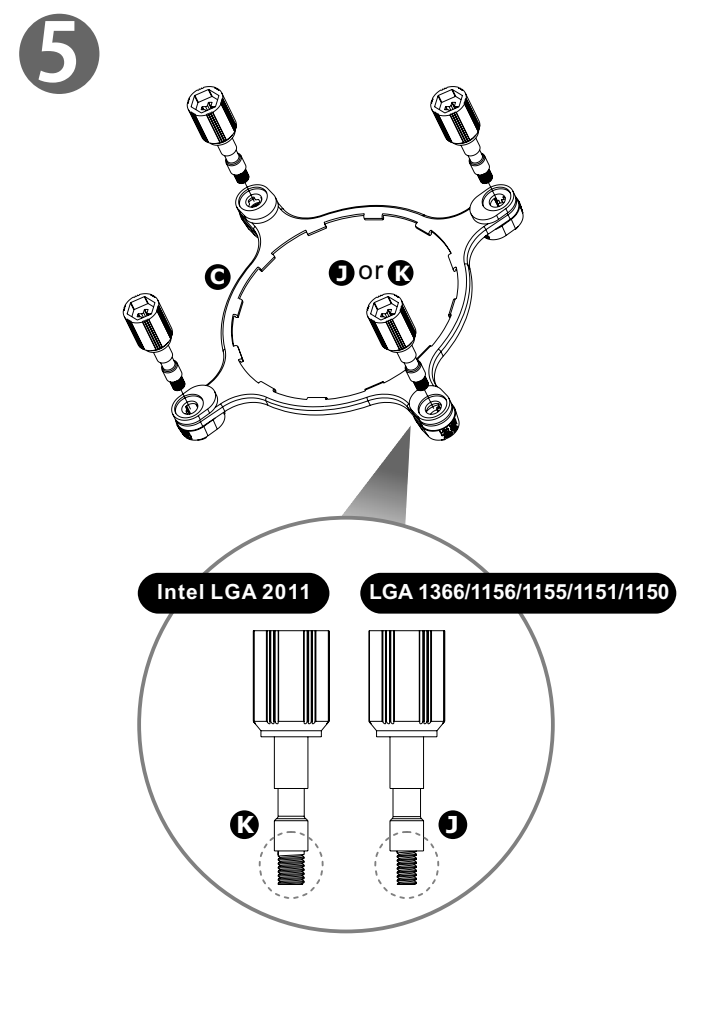
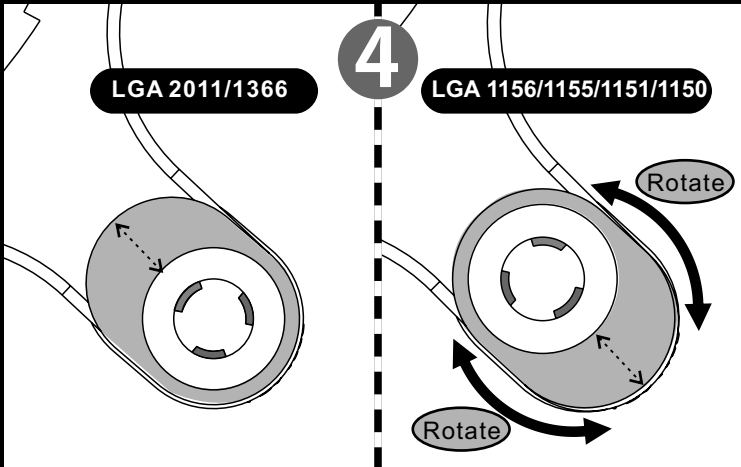
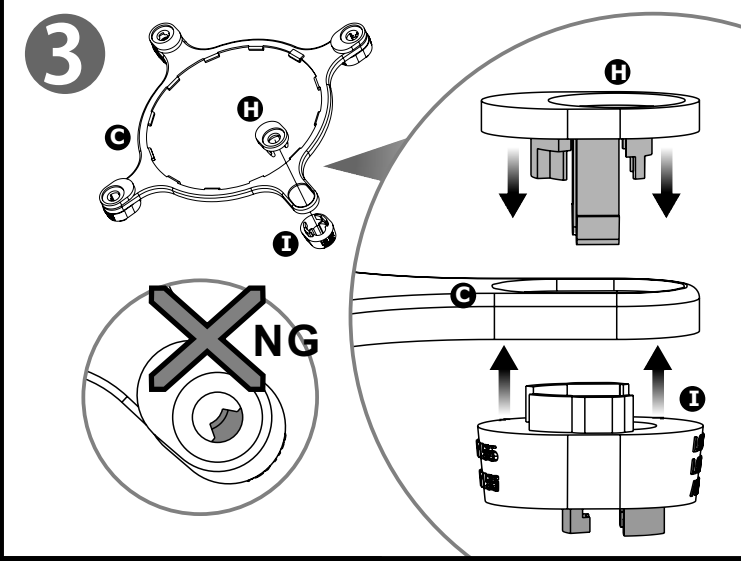
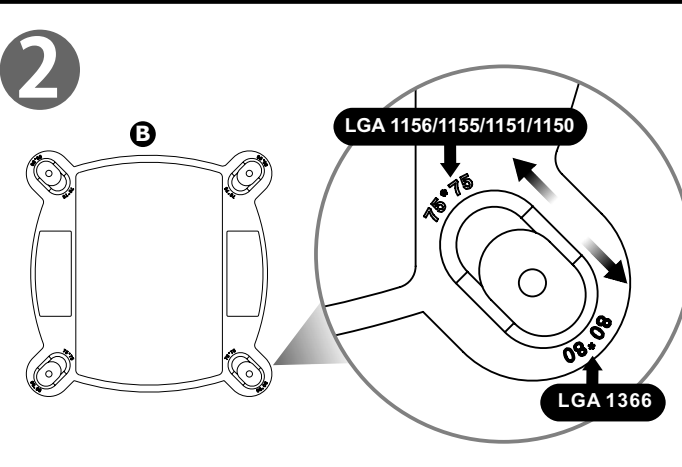
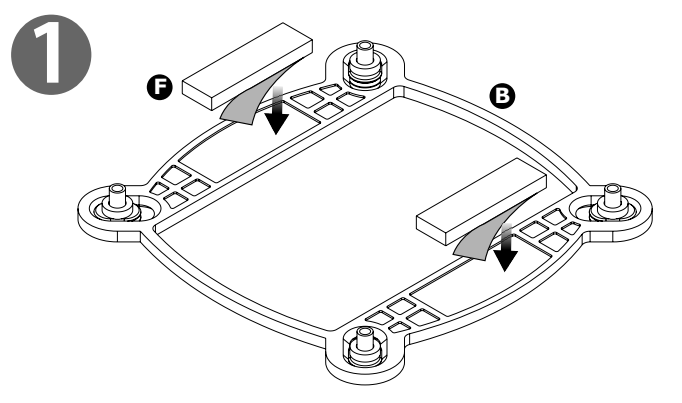
# Intel Water 3.0 Ring RGB 240

## Parts List

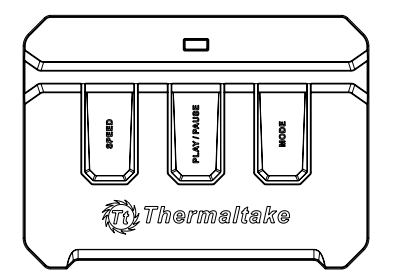


## Intel (Socket LGA 1366/1156/1155/1151/1150) Installation

For LGA2011 installation, please skip to the next step



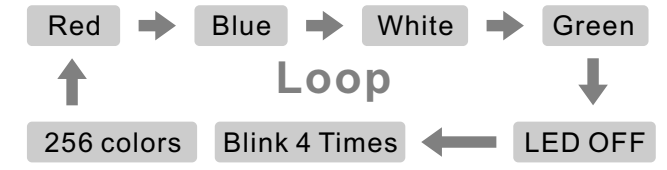
## Controller



**SPEED** : Switch over between 2 fan speed modes  
 LED Indicator shows Blue: Normal mode 800~1500rpm  
 LED Indicator shows Red: Low noise mode 400~1000rpm

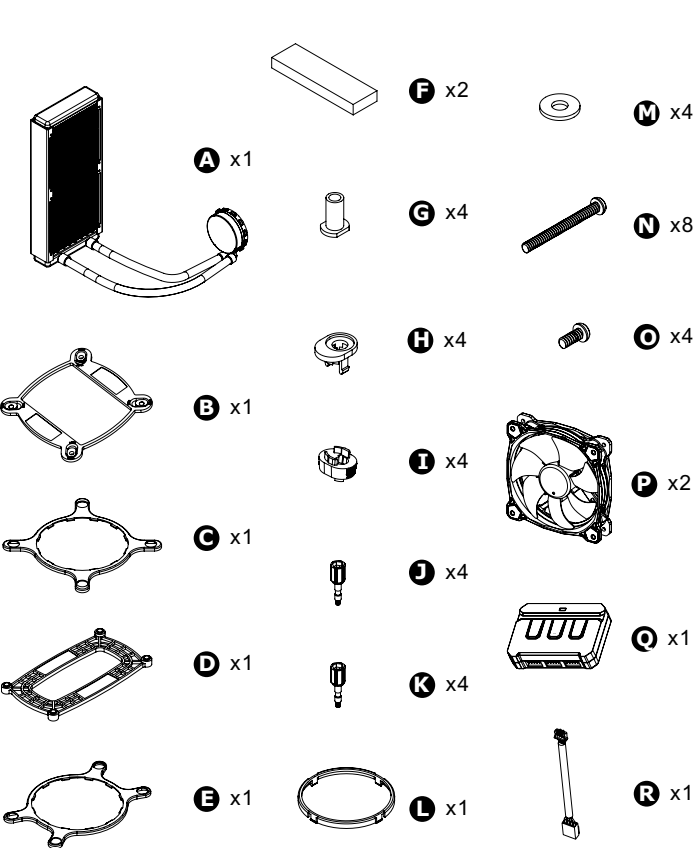
**PLAY/PAUSE** : When you switch to 256 colors mode, click to memorize and lock the color you want, click again to unlock the 256 colors auto rotation

**MODE** : Switch over between 6 LED colors  
 Red → Blue → White → Green → LED off → 256 colors

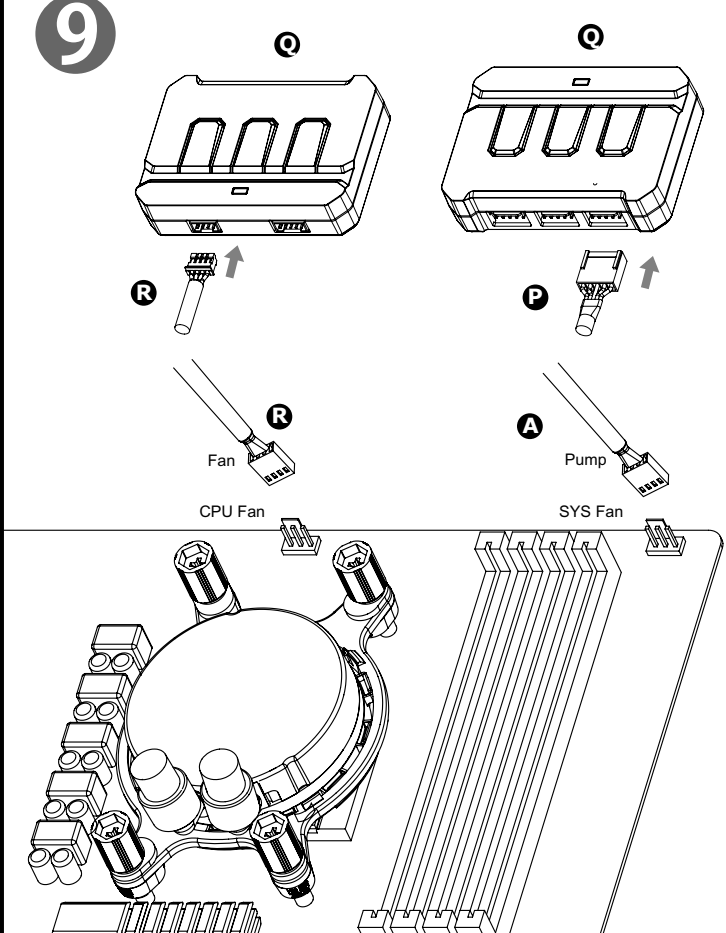
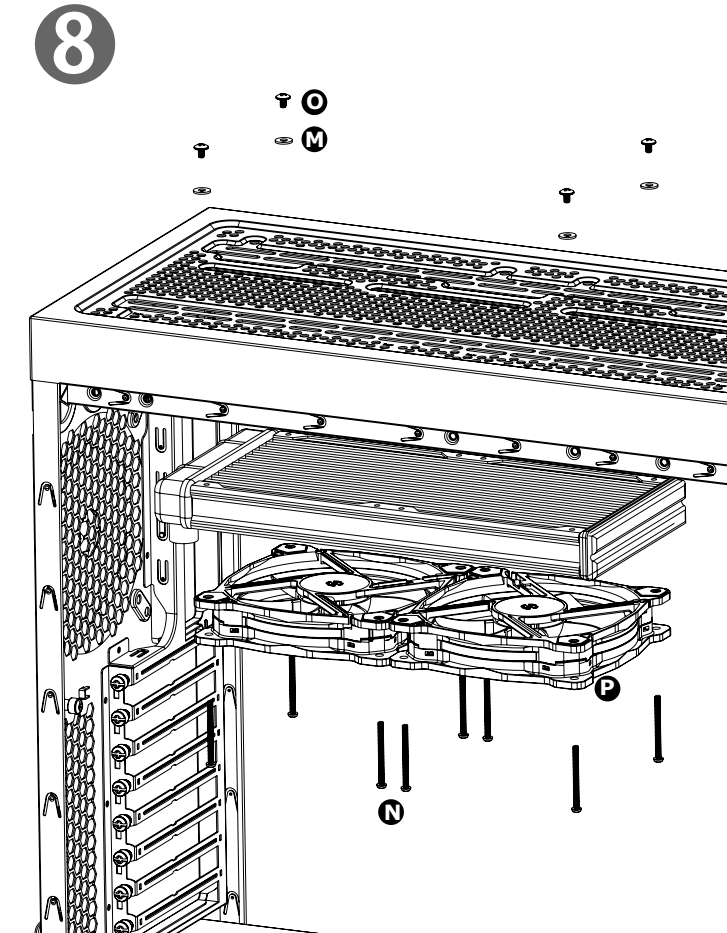
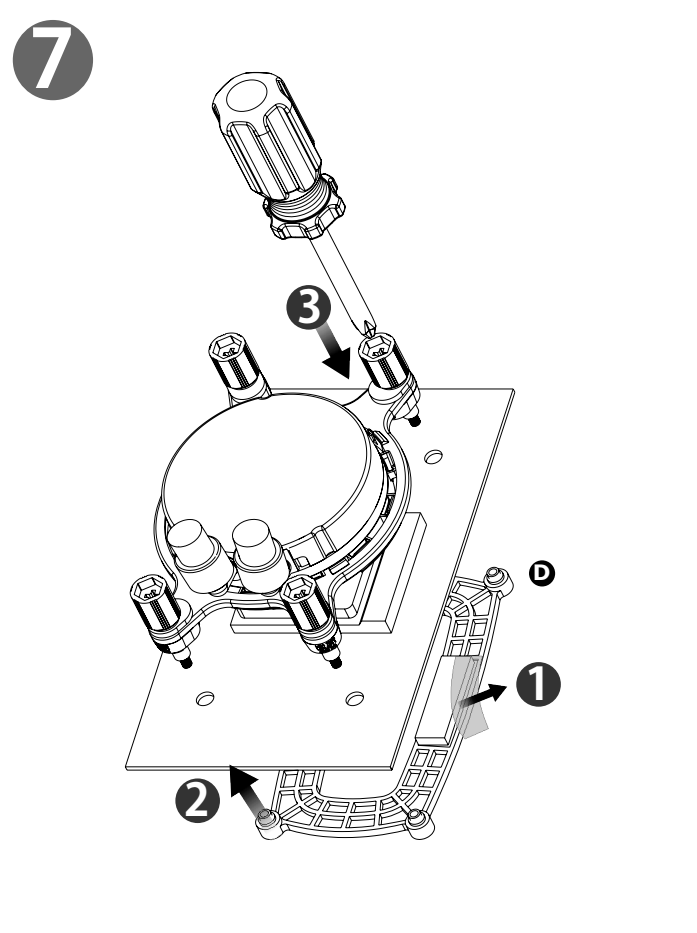
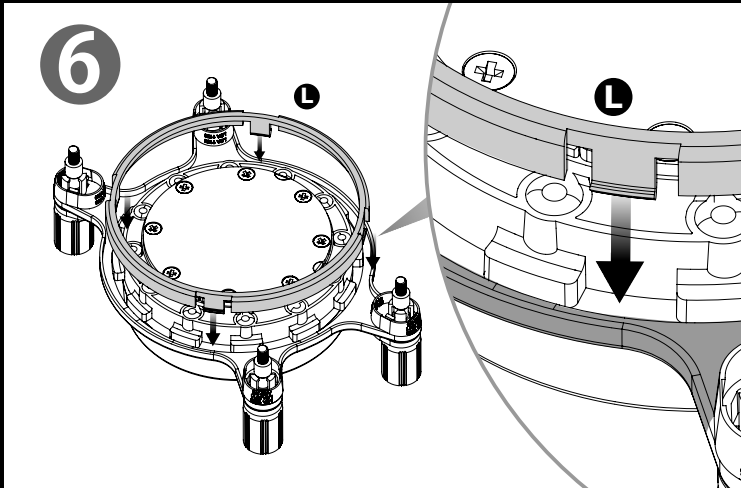
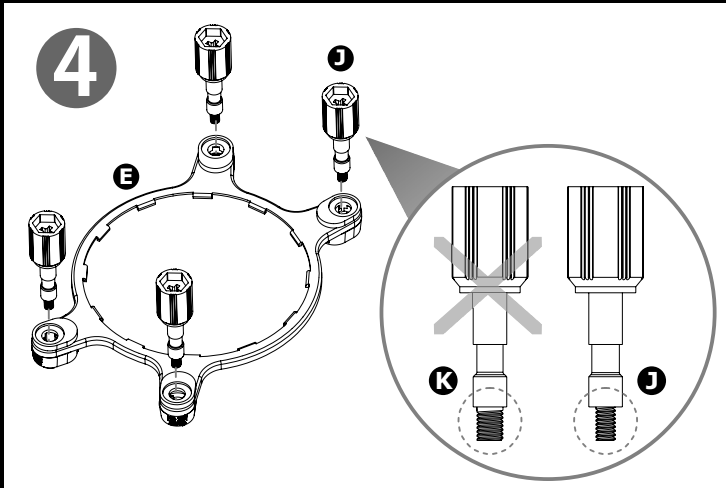
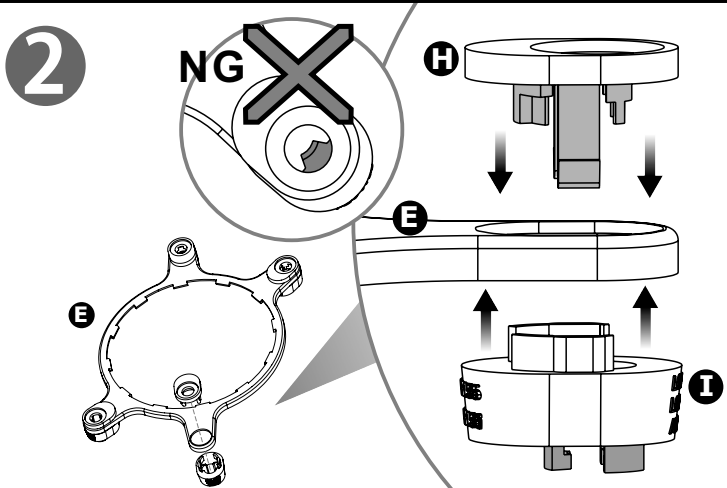
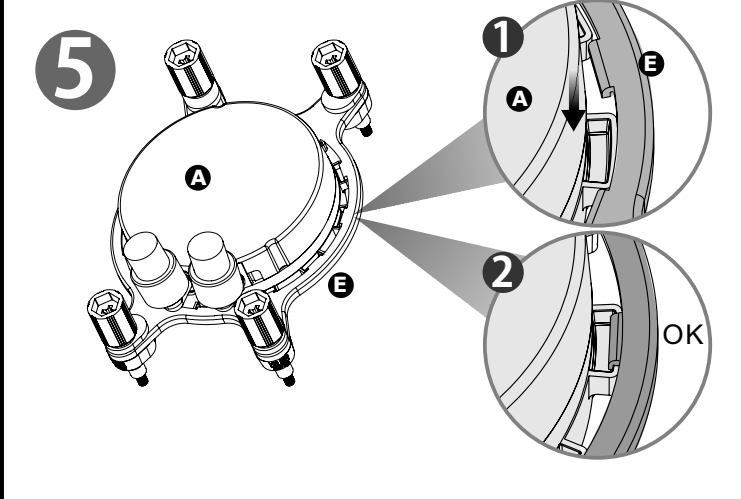
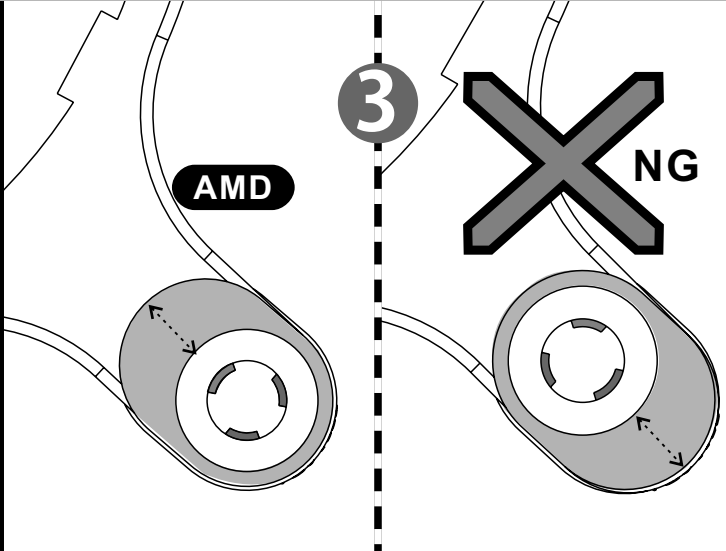
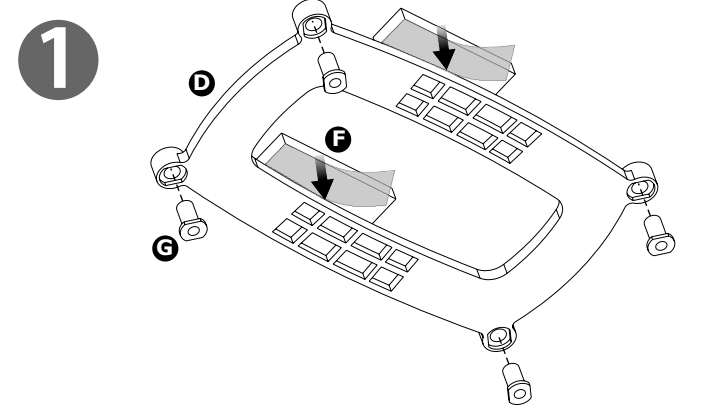


# AMD Water 3.0 Ring RGB 240

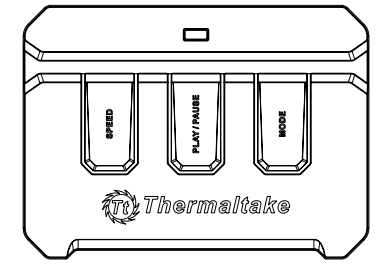
## Parts List



## AMD Series Installation



## Controller



**SPEED** : Switch over between 2 fan speed modes  
 LED Indicator shows Blue: Normal mode 800~1500rpm  
 LED Indicator shows Red: Low noise mode 400~1000rpm

**PLAY/PAUSE** : When you switch to 256 colors mode, click to memorize and lock the color you want, click again to unlock the 256 colors auto rotation

**MODE** : Switch over between 6 LED colors  
 Red → Blue → White → Green → LED off → 256 colors

