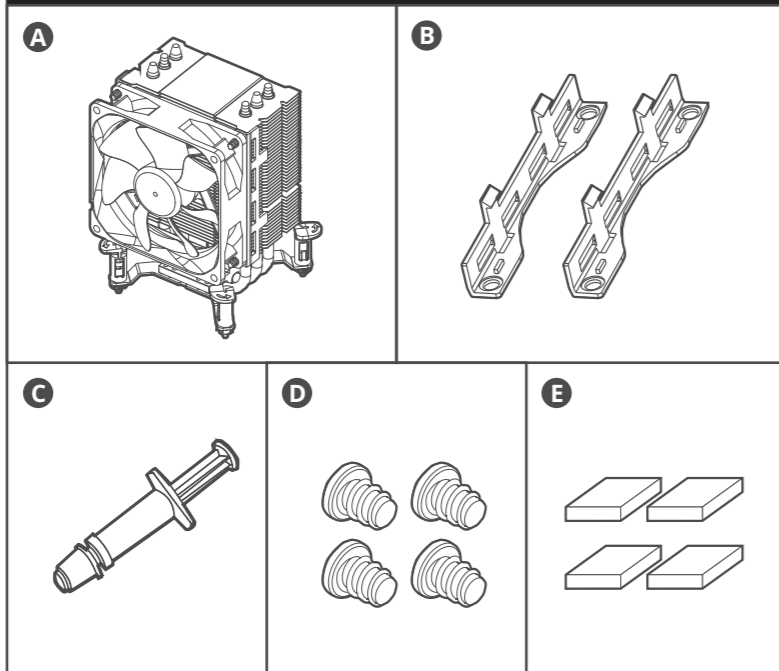




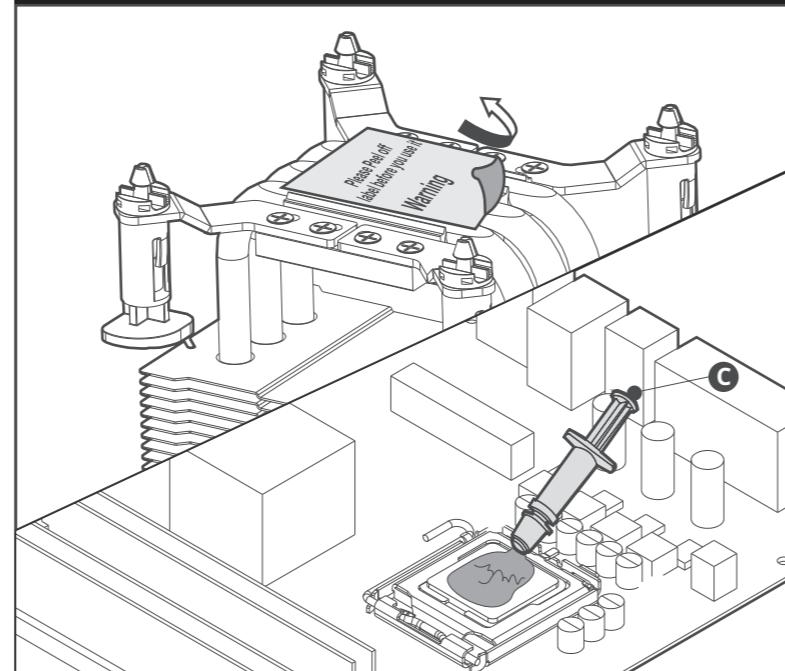
HYPER TX3i

USER MANUAL

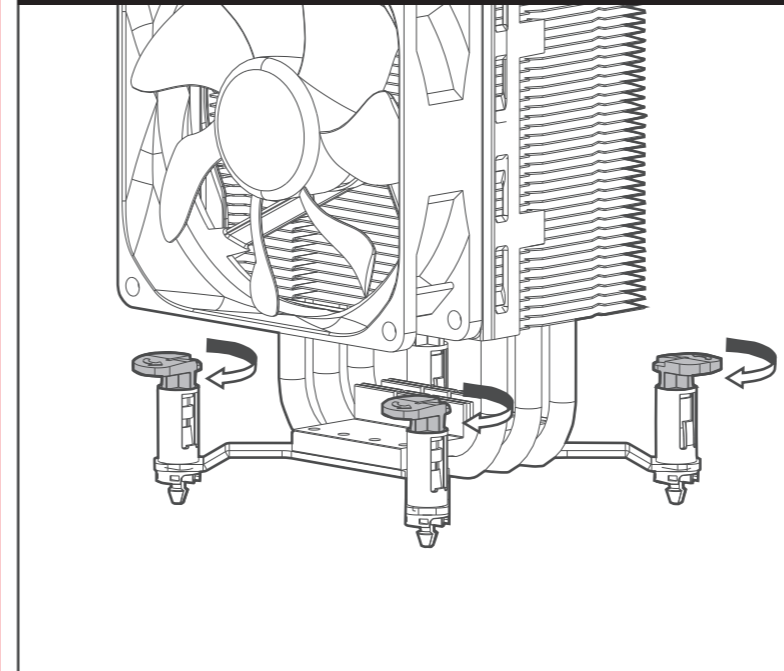
01. PACKAGE CONTENT



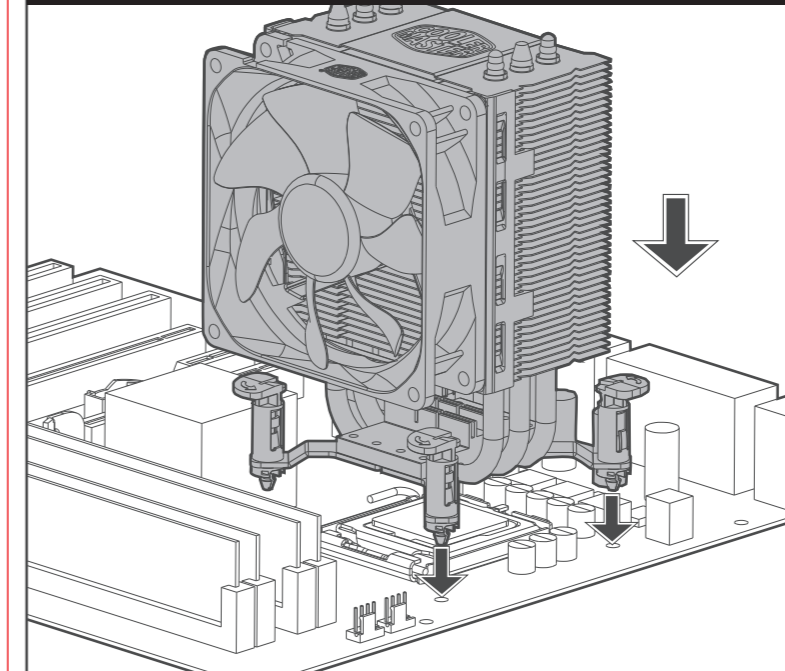
02



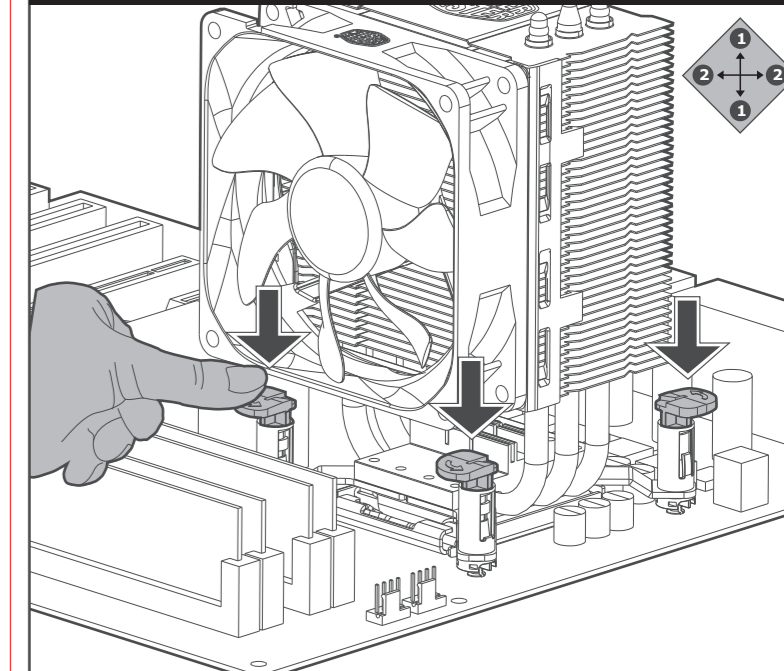
03



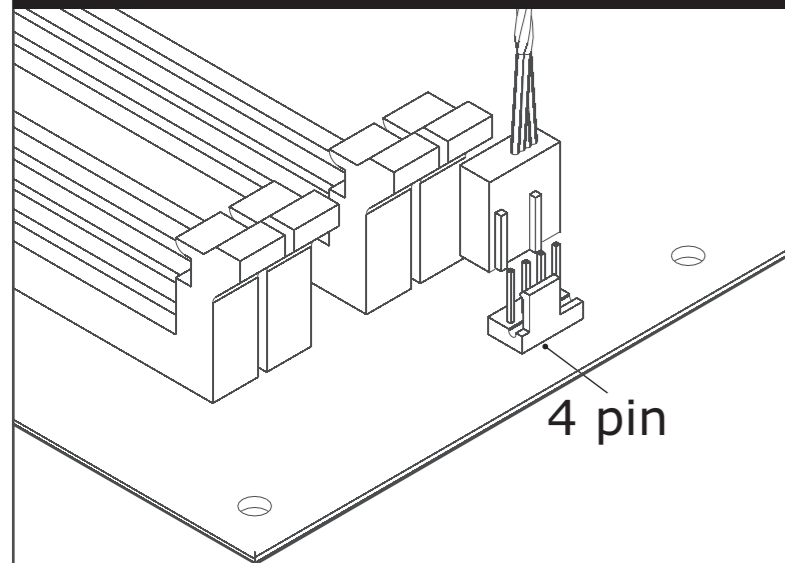
04



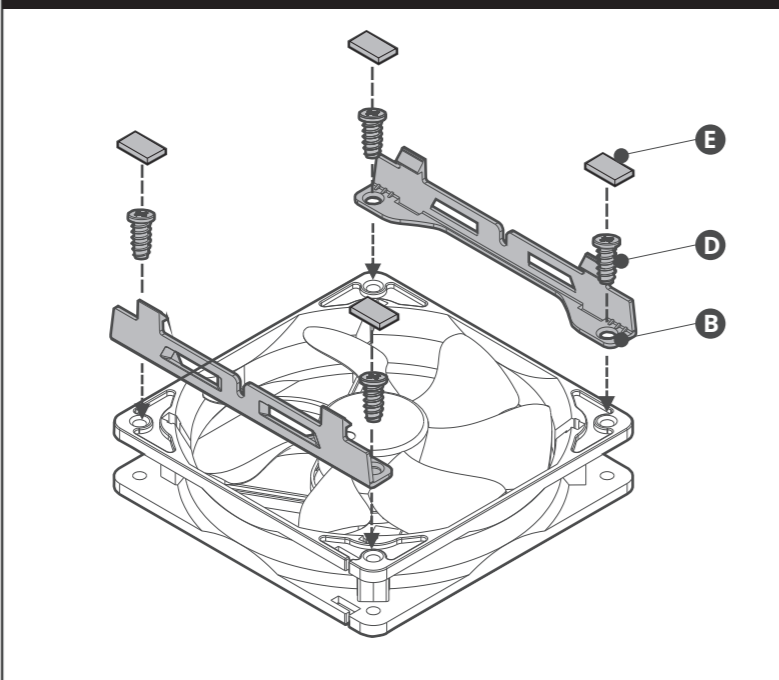
05



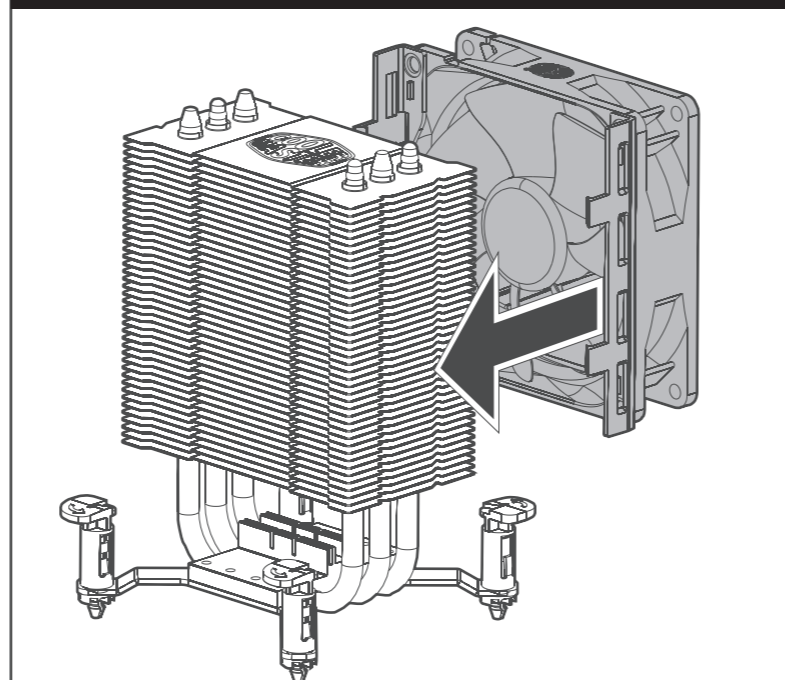
06



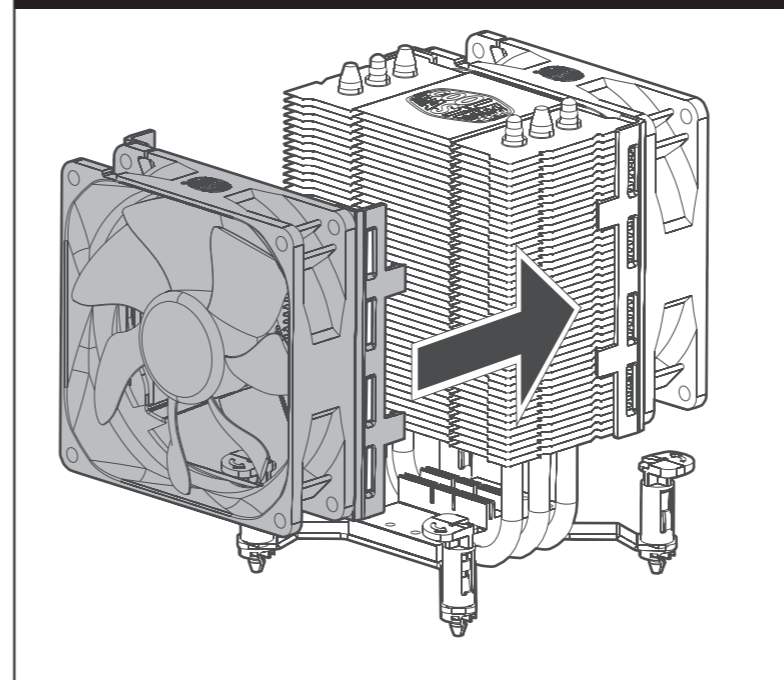
07. FAN INSTALLATION (THE 2ND FAN IS OPTIONAL)



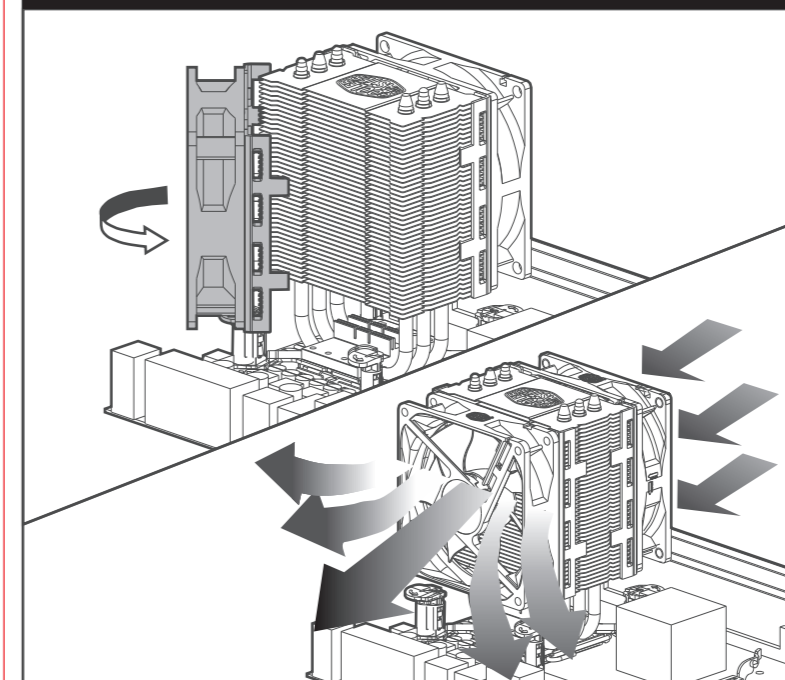
08. (THE 2ND FAN IS OPTIONAL)



09. (THE 2ND FAN IS OPTIONAL)



10. (THE 2ND FAN IS OPTIONAL)



11. ADDITIONAL INFORMATION

Asia Pacific | Cooler Master Technology Inc.
8F, No. 788-1, Zhongzheng Rd., Zhonghe Dist., New Taipei City 23586, Taiwan (R.O.C.)
Tel: +886-2-2225-3517

China | Cooler Master China
Room 2062, Floor 6, No. 421, Weiqing Rd., Jinshan District, Shanghai City, China
Tel: +86-21-51872177

Europe | Cooler Master Europe B.V.
Lodewijkstraat 1b, 5652AC Eindhoven, The Netherlands
Tel: +31-(0)40-702-0900

North America | Cooler Master NA
4820 Schaefer Ave. Chino CA. 91710, USA
Tel: +1-888-624-5099

For the most updated information, please visit our official website: www.coolermaster.com
Cooler Master Support: <https://account.coolermaster.com/>



510011020-GP Ver 1.0 2015/11
©2015 Cooler Master Technology Inc. All Rights Reserved. All trademarks are registered to their respective owners.