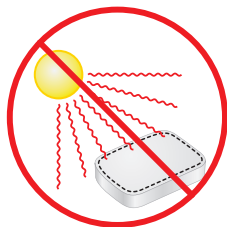


NETGEAR®

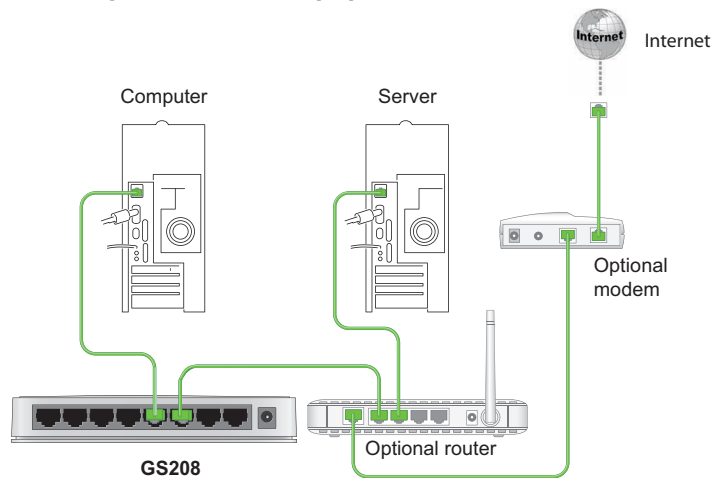
Installation Guide
Connect with Innovation™

5-Port and 8-Port Gigabit Switches GS205/GS208

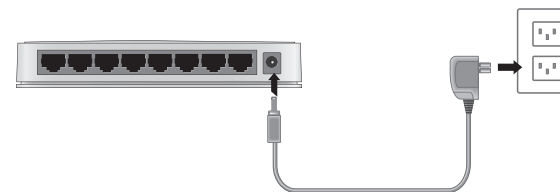
Step 1. Position switch



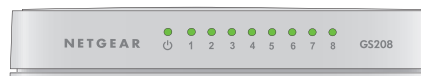
Step 2. Connect equipment



Step 3. Connect power



Step 4. Check status



Power LED

- On
- Off

Port LEDs

- Ethernet link
- Activity (blinking)
- No link (off)

Specifications	Description
Network interface	RJ-45 connector for 10BASE-T, 100BASE-TX, or 1000BASE-T
Network cable	Category 5 (Cat 5) or better Ethernet cable
Ports	GS305: 5 GS308: 8
Power adapter	12W max. and 12V @ 1.0A DC input
Power consumption	GS205: 3.56W GS208: 3.64W
Weight	GS205: 122g (0.269 lbs) GS208: 192g (0.425 lbs)
Dimensions (W x D x H)	GS205: 114 x 86 x 26 mm (4.49 in. x 3.39 in. x 1.02 in.) GS208: 152 x 93 x 26 mm (5.98 in. x 3.66 in. x 1.02 in.)
Operating temperature	0°–40° C (32°–104° F)
Operating humidity	90% maximum relative humidity, noncondensing
Electromagnetic compliance	CE Class B
Safety agency approvals	CE mark, CB



October 2012

For the complete EU Declaration of Conformity, visit
http://support.netgear.com/app/answers/detail/a_id/11621/.

Statement of Conditions: In the interest of improving internal design, operational function, and/or reliability, NETGEAR reserves the right to make changes to the products described in this document without notice. NETGEAR does not assume any liability that may occur due to the use or application of the product(s) or circuit layout(s) described herein.

Technical Support

After installing your device, locate the serial number on the label of your product and use it to register your product at <https://my.netgear.com>.

You must register your product before you can use NETGEAR telephone support. NETGEAR recommends registering your product through the NETGEAR web site. For product updates and web support, visit <http://support.netgear.com>.



This symbol appears in accordance with the European Union Directive 2002/96 on the Waste Electrical and Electronic Equipment (the WEEE directive). If you dispose of this product in the European Union, treat and recycle it in accordance with your jurisdiction's laws that implement the WEEE directive.

NETGEAR, the NETGEAR logo, and Connect with Innovation are trademarks and/or registered trademarks of NETGEAR, Inc. and/or its subsidiaries in the United States and/or other countries. Information is subject to change without notice. Other brand and product names are registered trademarks or trademarks of their respective holders. © NETGEAR, Inc. All rights reserved.